



Conventional Manual Call Points (MCP3A)

Product Overview:

The **MCP3A Manual Call Point** is supplied with one normally open and one normally closed contact. Selecting either the 'Normally Open' or 'Normally Closed' contact is easily achieved by simply connecting the terminal block to the required connection in the back of the MCP3 product. Single pole changeover switching can be achieved with the use of two terminal blocks.

Installation time and cost are important to fire installer. The MCP range directly reflects this need by providing a unique 'plug and play' concept designed specifically to reduce installation time. All new MCP products utilise a special terminal block where all initial installation cabling is terminated. This terminal block is then simply connected to the back of the MCP. Simple, but effective, with no re-termination required and no time wasted.

Both break glass and resettable operating elements can now be used within a manual call point. To provide you with the greatest 'flex-ability', the new MCP range can be configured as either a break glass or resettable unit by simply changing from one element to another. No other additional parts or alternative products need to be ordered.

All MCP indoor call-point products also help preserve the integrity of the overall system as illegal removal of the product lid will result in the call point operating and the system going into alarm.

The Manual Call-Point must be used with a Clear Tamper Resistant Cover (PS200) for compliance with AS 1670.1:2015.



Conventional Manual Call Point, Red
MCP3A-R000SG-P088-01

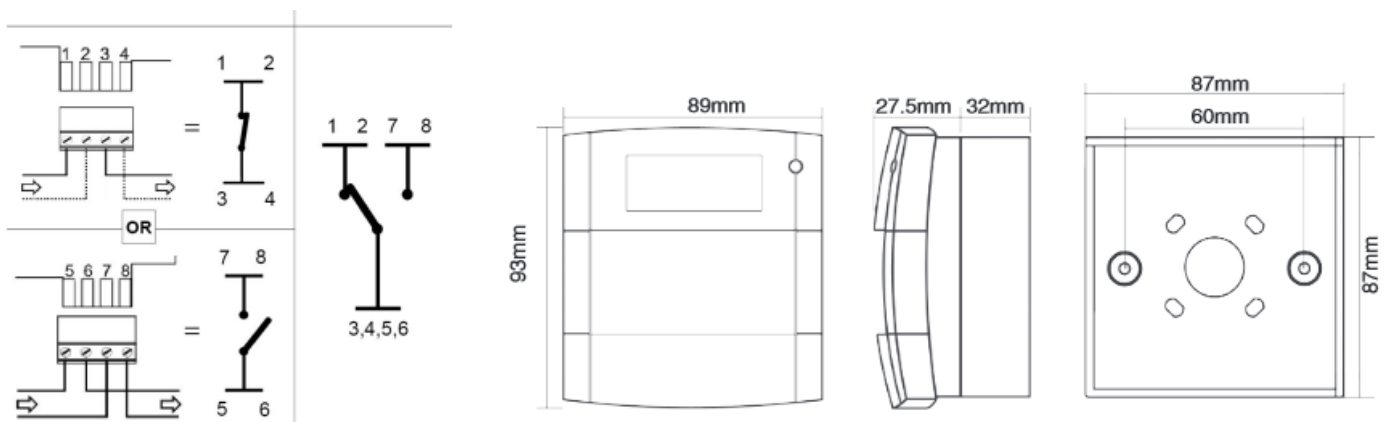
Features:

- » Unique 'Plug & Play' installation concept
- » Total 'Flex-Ability' in the choice of operating element
- » Anti-tamper facility
- » Enhances aesthetics
- » Backwards compatibility

Specifications:

» Dimensions	89 x 93 x 59.5	W x H x D mm (with the back box)
	87 x 87 x 32	W x H x D mm (back box)
» Weight	130 g (Flush); 180 g (Surface)	
» Cable Termination	0.5 mm ² to 2.5 mm ²	
» Maximum Voltage	30 Vdc	
» Current Rating (switch only)	2 A	
» Humidity	0 % to 95 % RH, non-condensing	
» Operating Temperature	-10 °C to 55 °C	
» Ingress Protection (IP) Rating	IP24D	
» Material	PC/ABS	
» Colour	Red or White	

Connections:



Ordering Information:

Product Code	Description
MCP3A-R000SG-P088-01	Manual Call-Point – Red (Conventional)
MCP3A-W000SG-P088-02	Manual Call-Point – White (Conventional)
PS200	Clear Tamper Resistant Cover for KAC Manual Call-Points
MUS012W	Mounting Box – Surface (Red)
KG1	KAC Spare Glass

Conventional Call Points (MCP3A) Iss 1.2 20170421