

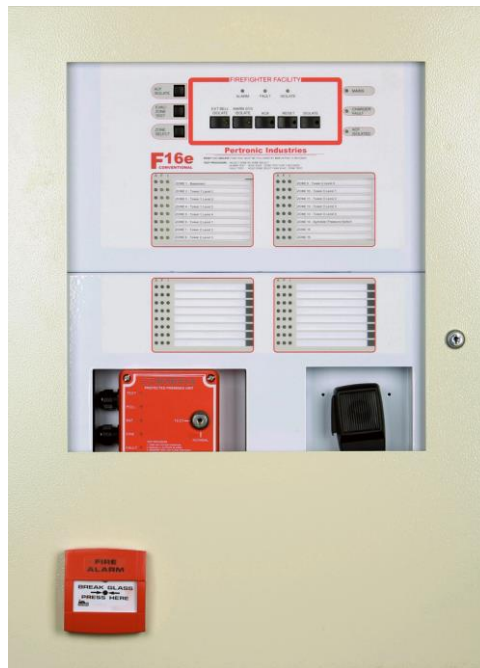


F16e – 8 to 32 Zone Conventional System

Product Overview:

The Pertronic Industries F16e is a conventional automatic fire alarm system designed for small to medium sized building applications having up to 32 zones of smoke and heat detectors, manual call-points and approved dry contacts. The F16e is expandable from 8 to 32 zones in 8 zone increments.

The F16e complies with Australian Standard 4428.1 1998, including Amendment 1, 2005.



F16e Control Panel

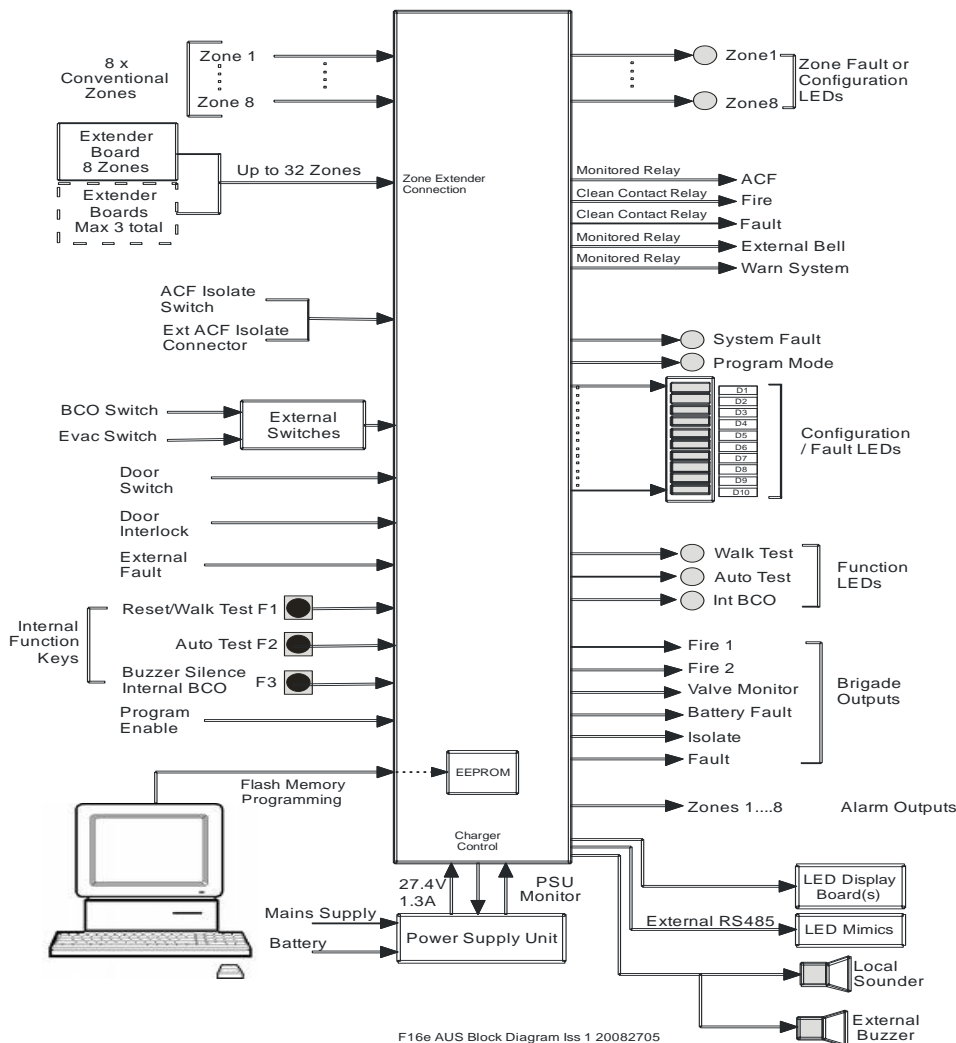
Features:

- » Flexible microprocessor based technology
- » Automatic 24-Hour System Test function including battery load check
- » Earth Leakage detection
- » All circuits individually configurable for brigade signalling, alarm sounder operation, non-latching or indication only operation
- » Common Fire and Fault relay outputs
- » ACF monitored output
- » Configurable outputs by zone for Fire 1, Fire 2 and Valve Monitor
- » Alarm Verification Function selectable by zone
- » Alarm, Fault and Isolate indication by zone
- » Monitoring station interface
- » Standard RS485 serial port for up to 3 remote LED mimics
- » Front panel ACF Isolate, External Bell Isolate, Warning System Isolate and Alarm Test switches
- » Individual zone Isolation capability
- » Up to 40 System Sensor smoke or heat detectors capacity per zone
- » Integrated Manual Call-Point
- » External fault input
- » Door interlock input

Specifications:

»	Detector Capacity	40 per zone		
»	Zone Capacity	32		
»	Zone Cable Resistance	Max 100 Ω total per zone (500 Ω per leg)		
»	Standard Relays	Fire, Fault and Battery Fault changeover contacts, each rated 1.25A @ 24Vdc		
»	Standard Monitored Outputs	Warning System and External Bell, each rated 5 A @ 24 Vdc		
»	ACF Monitored Output	Rated 1.25 A @ 24 Vdc		
»	End of Line Terminations	10 k Ω for all monitored circuits		
»	Dedicated Isolate Controls	Warning System, External Bell, ACF and Door Holder		
»	Power Supply	200 to 250 Vac 50 / 60 Hz, 30 W		
»	Battery Charger	27.4 V, 1.0 A temperature compensated		
»	Environmental	-5°C to 45°C		
»	Relative Humidity	0 to 95%, non-condensing		
»	Standard Cabinet Dimensions	550 x 800 x 185	W x H x D mm	(19")
»	28U Cabinet Dimensions	570 x 1330 x 380	W x H x D mm	(19" rack)
»	40U Cabinet Dimensions	575 x 1865 x 380	W x H x D mm	(19" rack)
»	600 mm Mk2 Cabinet Dim.	450 x 600 x 160	W x H x D mm	
»	Cabinet Colour	RAL 9001 (BS4800:10B15)		

F16e Block Diagram:



Listings and Approvals:

ActivFire: AFP - 2130