



Gas Release Manual Call Point

Product Overview:

The **Pertronic Gas Release Manual Call Point MCP4A-Y000SG-P088-01** is supplied with a double pole changeover set of contacts. The product utilises two terminal blocks and wiring to the relevant terminals on these terminal connector blocks provides either a 'Normally Open' or 'Normally Closed' operation.

This range of MCPs features a unique 'plug and play' concept designed specifically to reduce installation time. All new MCP products utilise a special terminal block, where all initial installation cabling is terminated. This terminal block is then simply connected to the back of the MCP. Simple, but effective, with no re-termination required.

Both break glass and resettable operating elements can now be used within a manual call point. To provide you with the greatest 'flex-ability', the new MCP range can be configured as either a break glass or resettable unit by simply changing from one element to another. No other additional parts or alternative products need to be ordered.

Indoor manual call point products also help preserve the integrity of the overall system, as illegal removal of the product lid will result in the call point operating and the system going into alarm.

The Manual Call-Point must be used with a Clear Tamper Resistant Cover (PS200) for compliance with AS 1670.1:2015.



**Gas Release Manual Call Point
MCP4A-Y000SG-P088-01**

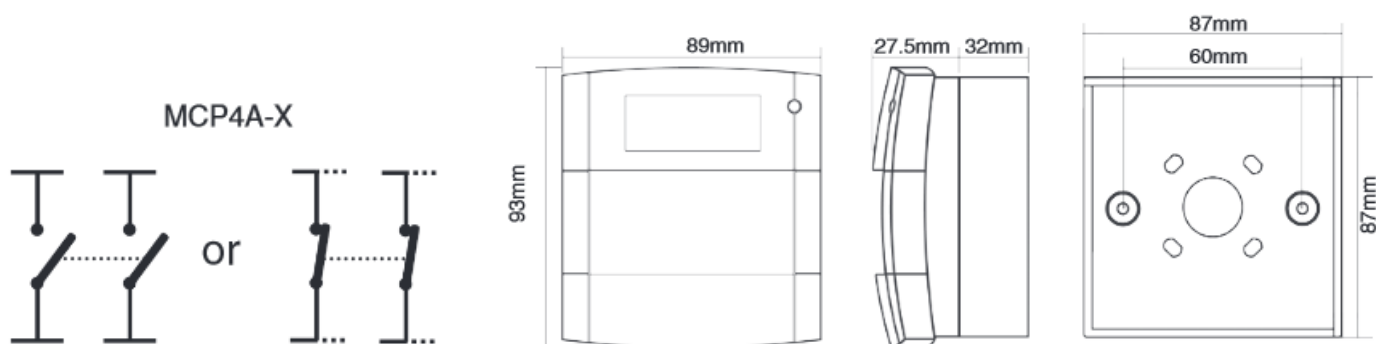
Features:

- » Unique 'Plug & Play' installation concept
- » Total 'Flex-Ability' in the choice of operating element
- » Anti-Tamper facility
- » Enhanced aesthetics
- » Backward compatibility

Specifications:

» Dimensions	89 x 93 x 59.5	W x H x D mm (with the back box)
	87 x 87 x 32	W x H x D mm (back box)
» Weight	130 g (Flush); 180 g (Surface)	
» Cable Termination	0.5 mm ² to 2.5 mm ²	
» Maximum Voltage	30 Vdc	
» Current Rating (switch only)	2 A	
» Humidity	Up to 96 % RH, non-condensing	
» Operating Temperature	-10 °C to 55 °C	
» Ingress Protection (IP) Rating	IP24D	
» Material	PC/ABS	
» Colour	Yellow	

Connections:



Ordering Information:

Product Code	Description
MCP4A-Y000SG-P088-01	Yellow Double Pole Changeover, Gas Release Model Manual Callpoint
KG1	KAC Spare Glass
PS200	Clear Tamper Resistant Cover for KAC Manual Callpoints

0940 Gas Release Manual Call Point Iss 1.2 20170420