



# Weatherproof Conventional Manual Call Point

## Product Overview:

---

The **Weatherproof Conventional Manual Call Point WCP3A-R000SG-01** is an **IP67 sealed** product. The enhanced environmental protection allows the unit to be installed in many external environments where water and dirt are likely to be present, making it a true **weatherproof** and outdoor product.

The **WCP3A** product version is supplied with one normally open and one normally closed contact. Selecting either the 'Normally Open' or 'Normally Closed' contact is easily achieved by simply connecting the terminal block to the required connection in the back of the call point. Single pole changeover switching can be achieved with the use of two terminal blocks.

Installation time and ultimately cost is of paramount importance to any fire installer. The **WCP3A** call-point directly reflects this by providing a unique 'plug & play' concept designed specifically to reduce installation time. All initial installation cabling is terminated on a special terminal block. The terminal block is then simply connected to the back of the call-point. Simple but effective with no re-termination required and no time wasted. In addition, the call point has three standard 20 mm threaded cable entries accommodating all types of surface wiring installations.

Both break glass and re-settable operating elements can now be used within a manual call point. To provide you with the greatest flexibility the call point can be configured as either a break glass or re-settable unit by simply changing from one element to another. No other additional parts or alternative products need to be ordered.

The **WCP3A** also helps preserve the integrity of the overall system as illegal removal of the product lid will result in the call point operating and the system going into alarm.

The manual Call-Point must be used with a Clear Tamper Resistant Cover (PS200) for compliance with AS 1670.1:2018.



**Weatherproof Conventional Manual Call Point  
WCP3A-R000SG-01**

## Features:

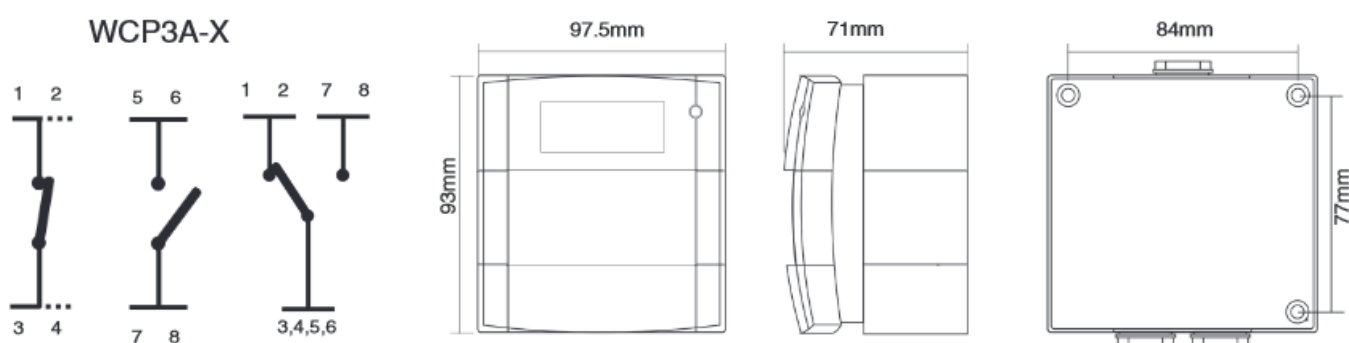
---

- » Sealed to IP67
- » Unique 'Plug & Play' installation concept
- » Total 'Flex-Ability' in the choice of operating element
- » Anti-Tamper facility
- » Enhanced aesthetics and compact design
- » Supplied with surface mounting box

## Specifications:

» Dimensions	97.5 x 93 x 71	W x H x D mm (with the back box)
» Weight	350 g	
» Cable Termination	0.5 mm <sup>2</sup> to 2.5 mm <sup>2</sup>	
» Maximum Voltage	30 Vdc	
» Switch Rating	2 A	
» Humidity	0 to 96 % RH, non-condensing	
» Operating Temperature	-25 °C to 70 °C	
» Ingress Protection (IP) Rating	IP67	
» Material	PC/ABS	
» Colour	Red, RAL3001	

## Connections:



## Ordering Information:

Product Code	Description
WCP3A-R000SG-01	KAC Weatherproof Conventional Manual Call Point (Red) – with Mounting Box
PS200	Clear Tamper Resistant Cover for KAC Manual Call Points
KG1	KAC Spare Glass

0940 Weatherproof Conventional Manual Call Point Iss 1.4 20190606