

PERTRONIC INDUSTRIES LTD

DATASHEET

BACnet Gateway

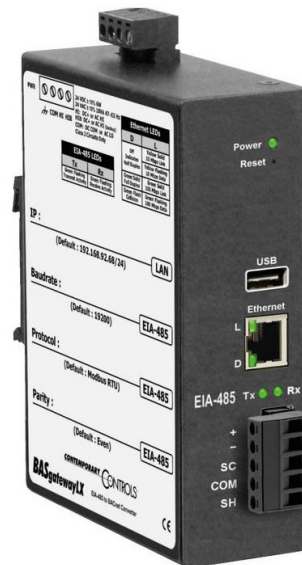


Overview

The BACnet Gateway facilitates communication between a Pertronic F220 fire panel and a Building Management System (BMS). The gateway monitors data broadcast by the fire panel and reports specific items to the BMS using the BACnet protocol.

Options in the configuration software allow the gateway to be configured to create BACnet objects representing a wide range of data items from the fire alarm panel. The configuration software may be downloaded from the Pertronic website at <http://pertronic.net>

The gateway system consists of a Contemporary Controls BASgatewayLX Gateway Module connected to a Pertronic Industries SPIB Modbus Interface (SPIB-MODBUS HLI). The system is normally installed inside the fire alarm cabinet. It connects to the BMS physical network via an Ethernet port.



BASgatewayLX Gateway Module

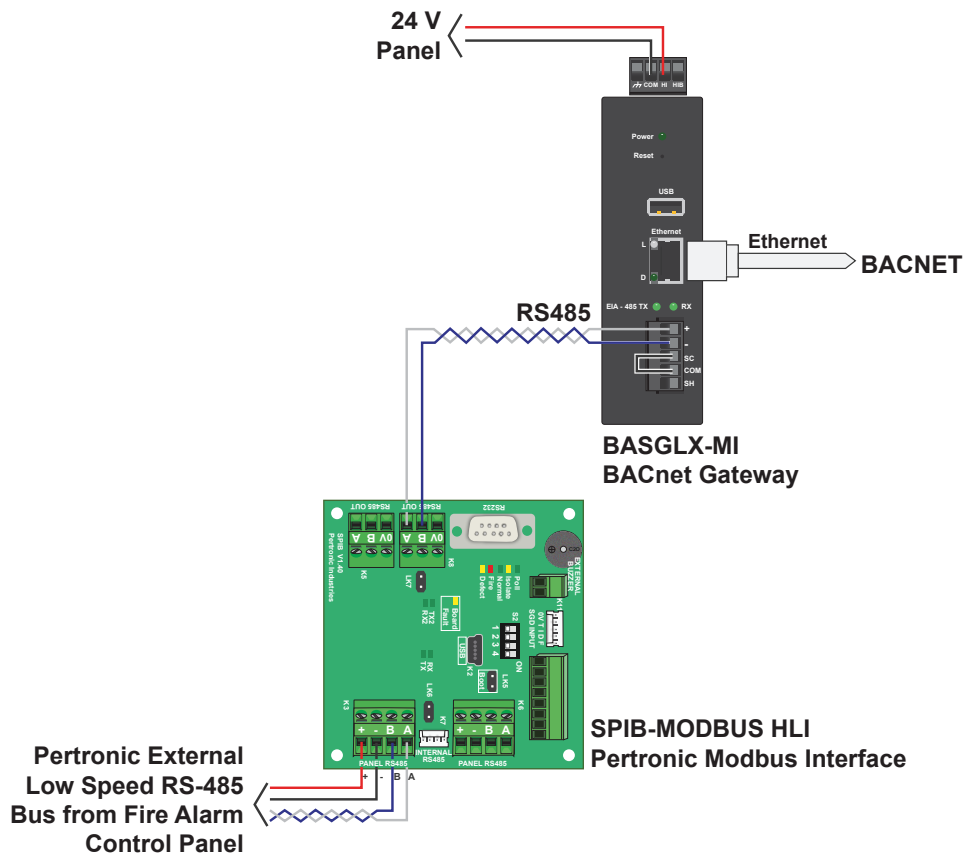
Features

- » BACnet interface between Pertronic F220 fire alarm system and building management system
- » 10/100 Mbps Ethernet with auto-negotiation and Auto-MDIX
- » Configurable to create BACnet objects representing various panel states such as:
 - » Fire zone 'Alarm' and 'Isolate' states
 - » Fire alarm system global status information including 'Sprinkler', 'Evacuate', along with fault and communication system status
 - » Fire alarm system software entities such as 'Brigade', 'Smoke Alarm', and 'Call Point 'Alarm' as specified in the panel configuration
- » The F220 fire alarm control panel can be configured to broadcast data items selected from a large number of entities (refer to the Pertronic F220 technical manual and BACnet gateway installation note for details)
- » Configuration data for the BASgatewayLX module can be uploaded via the Ethernet port or USB port
- » Optically isolated RS485 port for connection to SPIB
- » Also compatible with Pertronic F120A

Specification

CCS BACnet Gateway Dimensions		41 x 131 x 100 W x H x D mm
SPIB-MODBUS HLI Dimensions		96.5 x 94 x 30 W x H x D mm
DC Current		280 mA @ 24 Vdc
Communications		Ethernet, RS485
Ethernet Port	Compliance	IEEE 802.3
	Protocol	BACnet/IP, Modbus TCP
	Data Rate	10 Mbps, 100 Mbps
	Physical Layer	10BASE-T, 100BASE-TX
Maximum Cable Length		100 m
External Low Speed RS-485	Data	9,600 bit/s
	Power	1.4 Amp
Wiring/ Connection	Ethernet Port	Shielded RJ-45
	Communication	RS485
	Power In	12 to 18 AWG

Typical Connections



Ordering Information & Notes

Product Code	Description
BASGLX-M1	BASgatewayLX Modbus to BACnet Gateway (Requires SPIB Modbus Interface)
SPIB-MODBUS HLI	Modbus Interface

The information in this document must not be treated as partial or complete instructions for the design, construction, installation, commissioning, or maintenance of fire detection, fire alarm, or building evacuation systems. Fire and evacuation systems must be designed and installed by properly qualified persons, in accordance with all regulatory requirements.

Unless explicitly stated otherwise, this document provides typical specifications and nominal dimensions. Actual product performance and dimensions may vary.

All information in this document is subject to change. Please consult Pertronic Industries or visit our web site for up to date information.

PERTRONIC® is a registered trademark of Pertronic Industries Limited.