



10 Watt Horn Speaker, IP66 Marine

Product Overview:

The **10 Watt IP66 Marine Grade Horn Speaker C2048** is a high-efficiency 100 Volt line speaker designed for emergency warning systems. It is more than ten decibels louder than a cone-type speaker with the same input power. Screwdriver adjustable power taps allow sound level adjustment to meet project requirements such as area coverage and ambient noise level. The adjustable mounting bracket makes it easy to position the horn speaker for optimal sound dispersion.

The grey enclosure is made from tough UV-stabilised ABS, with marine grade stainless steel mounting bracket and fixings.

To ensure compliance with Australian standards, the horn speaker is wired for Loop In/Loop Out connection and incorporates a 100Vrms line transformer and series blocking capacitor.

An excellent choice for exposed outdoor applications is requiring IP66 weather resistance.



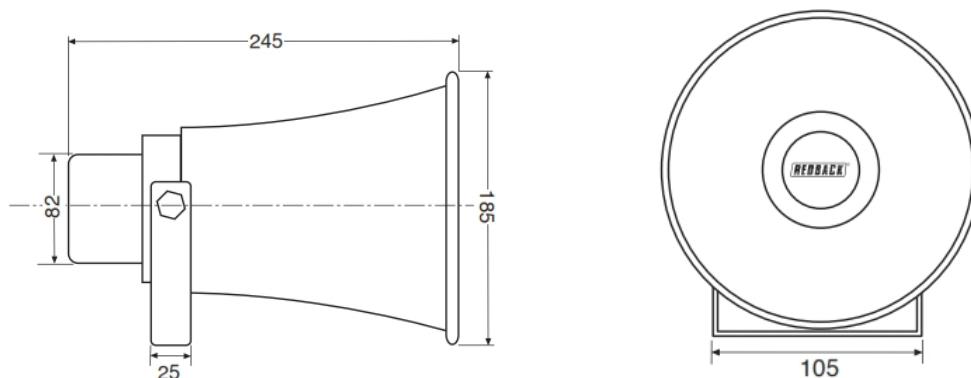
**10 Watt IP66 Marine Grade Horn
Speaker C2048**

Features:

- » Marine grade
- » Very high acoustic efficiency
- » Suitable for exposed outdoor locations
- » Excellent speech reproduction
- » Wide sound dispersion
- » UV stabilised ABS construction
- » Stainless steel bracket and mounting hardware
- » Screwdriver adjustable power tapping
- » Loop In / Loop Out connection
- » Fitted with series blocking capacitor
- » Compatible with EWS line monitoring systems
- » IP66 dust and water resistance

Specifications:

» Maximum Power	10 W
» Input Voltage	100 VRMS
» Power Tappings	1.25 W, 2.5 W, 5 W, 7.5 W, 10 W
» Tap Selection	Screwdriver Operated Rotary Switch
» Sound Pressure @ 1 Watt	105 dB SPL @ 1 m, 1 kHz \pm 2 dB
» Maximum Sound Pressure	115 dB SPL @ 1 m, 1 kHz
» Freq. response	300 Hz – 13 kHz
» Dispersion Angle:	110° @ 1 kHz
» Connections	Loop In – Loop Out
» Cable	4 core flying lead
» Series Capacitor	22 μ F Bipolar
» Dimensions	Flare 185 mm \varnothing x 245 mm L
» Mounting Depth	270 mm
» Weight	1.7 kg
» Colour	Grey
» Operating Temperature	-25 °C to +70 °C
» Humidity	10 % to 95 % RH, non-condensing
» Ingress Protection	IP66 (Dust-tight, Protected against strong water jets.)



Connections:



Ordering Information:

Product Code	Description
C2048	Speaker Horn, 100 Volt Line, 10W, IP66 Marine Grade