



100 mm One-Shot EWIS Ceiling Speaker

Product Overview:

The **100 mm EWIS One-Shot Speaker C2168C/C2169** is an EWIS compatible speaker designed for fast installation, offering high SPL output & excellent speech intelligibility.

This speaker and transformer combination is designed for both paging announcements and emergency tones in EWIS systems. The speaker is fitted with transformer safety cover, cable restraint plate, line monitoring capacitor and 4 way wire protect terminal connection.

These speakers feature a 'One-Shot' 3 way spring latching system. Each latch is set like a rat trap before installation into the speaker hole. When the speaker is pushed into the ceiling, the latches spring open, securing the speaker in place.

The **C2168C/C2169** is fitted with a 4 way protect screw terminal block. This is suitable for loop in, loop out cabling. The cable can be secured to the in-built restraint plate with 100mm cable ties. All One-Shot speakers are designed for fast installation due to the integral pressure clips which grip to the reverse side of the ceiling tile. They suit any 10-13 mm ceiling material, including gyprock tiles, mineral fibre tiles or fixed gyprock ceilings.



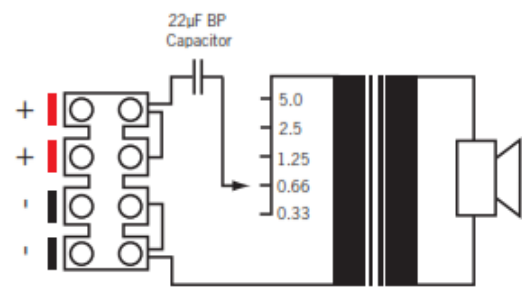
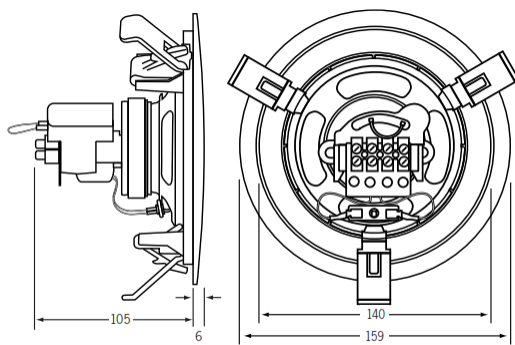
**100 mm One-Shot EWIS Ceiling Speaker
C2168C**

Features:

- » Available in white (C2168C) and black (C2169)
- » Excellent speech intelligibility
- » High quality speaker driver developed for BGM, paging and emergency warning applications
- » Patented 3 way latching ensures a neat, sag free installation
- » Fitted with 4 way wire protect terminal block for loop in, loop out wiring
- » Fitted with cable restraint plate and transformer safety cover
- » Fitted with supervisory capacitor for line monitoring
- » High impact styrene grill
- » Engineered to meet Australian Standard AS 1670.4

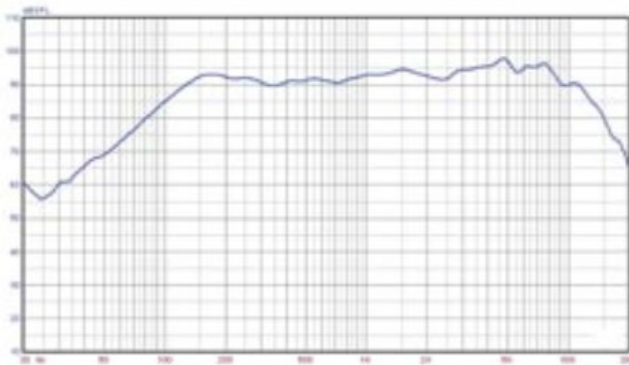
Specifications:

| | |
|-------------------------|--|
| » Grille Diameter | 159 mmØ |
| » Ceiling Cutout | 140 mmØ |
| » Mounting Depth | 105 mm (including ceiling tile thickness) |
| » Weight | 606 g |
| » Power Taps | 0.33 W, 0.66 W, 1.25 W, 2.5 W, 5W |
| » Sound Pressure Level | 92.7 dB SPL @ 1 m, 1 W, 1 kHz (± 2 dB) |
| » Frequency Response | 100 Hz-15 kHz |
| » Connection | 4 way terminal block + 22 µF bipolar capacitor |
| » Humidity | < 95 % RH, non-condensing |
| » Operating Temperature | -25 °C to 55 °C |
| » Colour | White |
| » Grille Material | High impact styrene |
| » Driver construction | Paper cone |

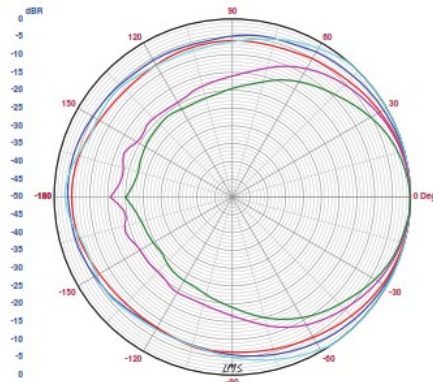


Power tap shown selected to factory default setting.

Frequency Response (SPL 1W @ 1m)



Polar Plot (Ratio vs Angle)



| | 500Hz | 1kHz | 2kHz | 4kHz | 6kHz |
|------------------------|-------|------|------|------|------|
| SPL 1W @ 1m (dB) | 91.2 | 92.7 | 92.4 | 95.4 | 95 |
| Beam Width (BW) | 273 | 149 | 182 | 91 | 69 |
| Q-Factor | 1.3 | 2.4 | 2.0 | 4.0 | 5.2 |
| Directivity Index (DI) | 1.2 | 3.8 | 3.0 | 6.0 | 7.2 |

Ordering Information:

| Product Code | Description |
|--------------|--|
| C2168C | Speaker & Grill, 100mm EWIS One-Shot (White) |
| C2169 | Speaker & Grill, 100mm EWIS One-Shot (Black) |