

# L-VJM20A/EN(C) L-VJM20A/EN Unidirectional Projection Loudspeaker

## FEATURES

- Intelligible voice and superior sound reproduction
- Ceiling or wall mount
- Meets virtually any outdoor requirements
- EN54-24 certified
- AS ISO 7240-24 Certified
- Complies with IP65 standard
- Available with or without capacitor(part number without “C”)



## PRODUCT DESCRIPTION

L-VJM20A/EN is a high-performance 20W voice alarm unidirectional projection loudspeaker. It provides a broad frequency response range, low distortion and high sound pressure level for accurate and intelligible broadcast of evacuation messages and high quality sound reproduction. It can be used in indoor, outdoor, dry, or wet applications, providing

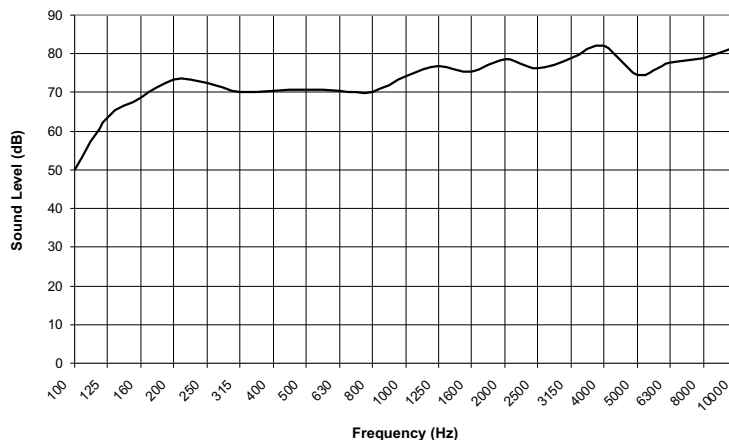
reliable operations over wide temperature and humidity ranges. Its low-profile, white color design blends easily with most interiors in locations such as hotels, conference rooms, cinemas, theme parks, factories and exhibitions.

This voice alarm unidirectional projection loudspeaker complies with BS5839 part 8 and EN54 part 24.

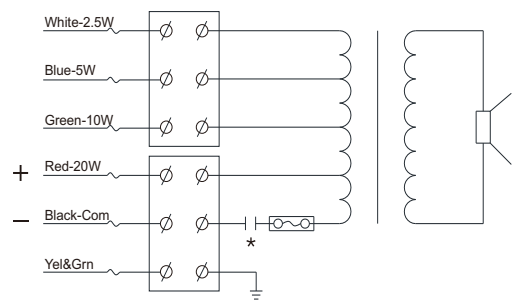
## TECHNICAL SPECIFICATIONS

Model	L-VJM20A/EN( C )	L-VJM20A/EN
Max power	30 W	
Rated power	20 W	
Power taps @ 100V	20 W / 10 W / 5 W / 2.5 W	
SPL at 20W/1W (100Hz-10KHz,1m)	101 dB / 90 dB	
SPL at 20W/1W (100Hz-10KHz,4m)	89 dB / 78 dB	
Frequency response(-10 dB)	150 Hz ~ 20 KHz	
Rated input voltage	100 V / 70 V	
Rated impedance	500 Ω / 1K Ω / 2K Ω / 4K Ω	
Connection	Fire-resistant Cable	
Dimensions(D x L)	Φ140 mm x195 mm	
Weight	2.65 Kg	
Color	White (RAL9003)	
Material	Aluminum	
DC Blocking Capacitor	Yes (2.7uF) L-VJM20A/EN(C)	
	No L-VJM20A/EN	

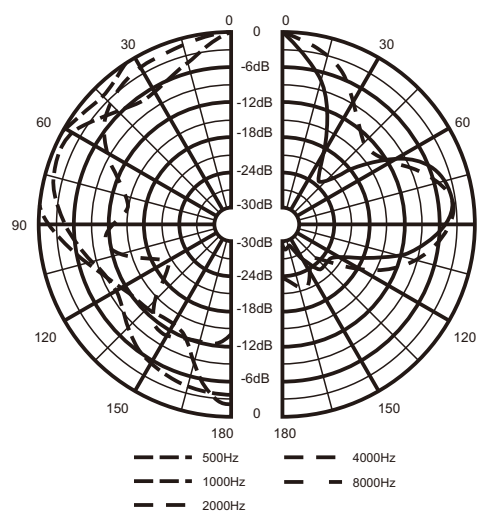
# FREQUENCY RESPONSE



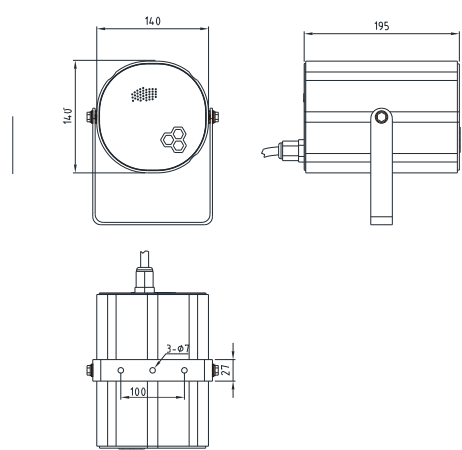
# CIRCUIT DIAGRAM



# POLAR DIAGRAM



# THREE-VIEW DIAGRAM



**Honeywell Audiovisuals**  
 No. 257, Junye Road  
 Guangzhou GETDD East  
 510530 China  
 Tel: +86 20 2839 9600  
 Fax: +86 20 2820 8706  
 www.honeywellav.com

2100041733\_EN1.3  
 Jun 2013  
 © 2013 Honeywell International Inc.

