



AA Wall Mount Sounder Strobe

Product Overview:

The **Analogue Addressable Wall Mount Sounder Strobe WSS-PR-N34** is a high quality loop powered device designed to alert building occupants of an emergency. It utilises the System Sensor B501AP base for improved installation flexibility. When triggered by the fire panel its intense strobe gives a highly visible warning.

This wall mount non-isolated sounder strobe integrates a sounder and high quality strobe into one device. On-board switches select one of 32 optional two-stage tone sets. The sounder can be switched between stage one and stage two by the fire alarm control panel. On-board switches control sound volume, and independent sound and/or strobe functions.

The sounder/strobe is powered by the fire alarm control panel via the loop wiring.

It is installed simply by a twist fit onto the B501AP base.



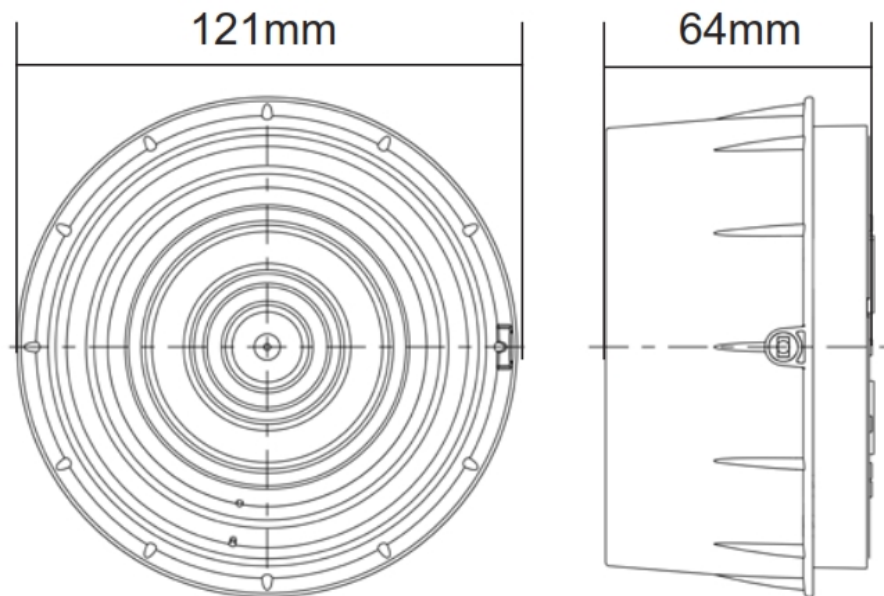
**Intelligent Wall Mounted Sounder Strobe
WSS-PR-N34**

Features:

- » High efficiency piezo disk and horn profile generate excellent sound output
- » High output LED technology and superior lens design optimize light output
- » First or second stage tone controlled by the fire alarm control panel
- » 32 optional two-stage tone sets
- » On-board switches for independent strobe and/or sounder function
- » Anti-tamper feature
- » Simple familiar rotary wheel address controls
- » Low current draw enables more devices on loop
- » Adjustable volume control
- » Intense strobe output
- » Rear or surface cable entry
- » Automatic synchronisation of sounder and strobe

Specifications:

» Dimensions (in B501AP base)	121 mm x 74.5 mm	Diameter x Depth
» Weight	238 g	
» Terminal Size	1.5 mm ² to 2.5 mm ²	
» Number of Tone Sets	32	
» Supply Voltage	15 VDC to 32 VDC	
» Max current Consumption (sounder & strobe)	14.7 mA (High Volume Tone 21 @ 24 V)	
» Max Sound Output	97 dBA ± 3dB @ 1 m (High Volume, Tone 8 @ 24 V) (Tone dependant – Figure stated is based on high volume 970 Hz continuous @ 24 VDC)	
» Standby Current	120 µA	
» Strobe Flash Rate	1 Hz	
» Humidity	10 % to 95 % RH, non-condensing	
» Operating Temperature	-25 °C to 70 °C	
» Volume Setting	High, Medium, Low	
» Lens Colour	Red	



Ordering Information:

Product Code	Description
WSS-PR-N34	Addressable Wall Mounted Sounder Strobe, Pure White Skirt, Red Lens
B501AP-IV	Addressable Detector Base – Ivory (for use with Addressable Sounder)