

# PERTRONIC INDUSTRIES Pty Ltd

## 8-way Responder Input Isolator

### - Installation Instructions



### Overview:

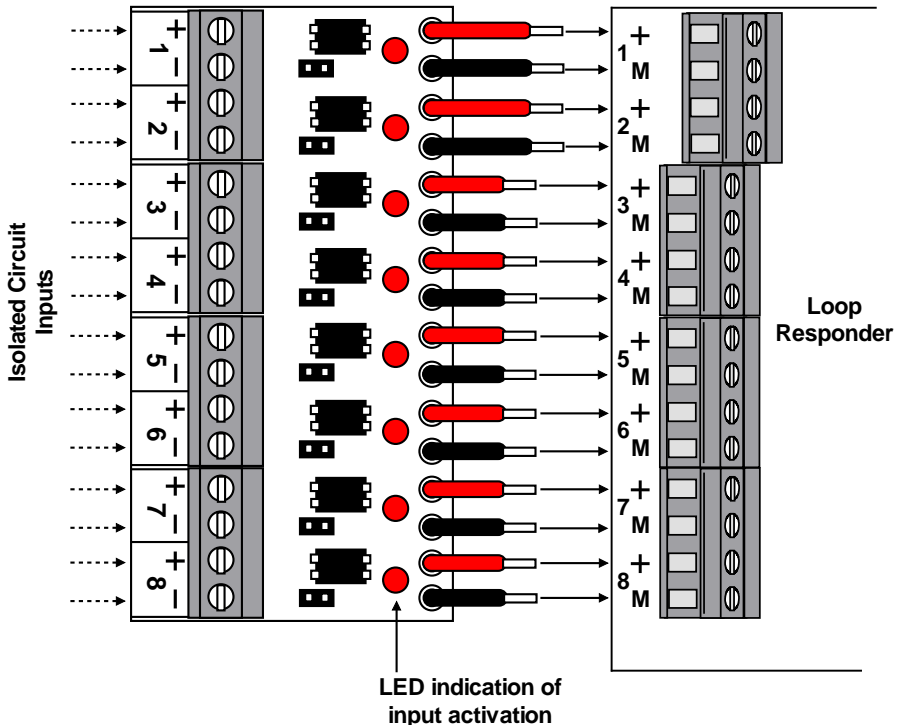
The Pertronic 8-way Responder Input Isolator board consists of 8 Isolated Interface Circuits to provide isolated inputs to a Pertronic Loop Responder.

### Specification:

Isolated Input Voltage range:	21 V to 30 V (Configuration 1 or 2 – see over)
Isolated Input activation current:	Limit to: > 7 mA, < 20 mA
Responder M clamp voltage:	Between 16 V and 18 V over the voltage and current ranges, this corresponds to the Indicating MCP / Heat Detector Alarm levels

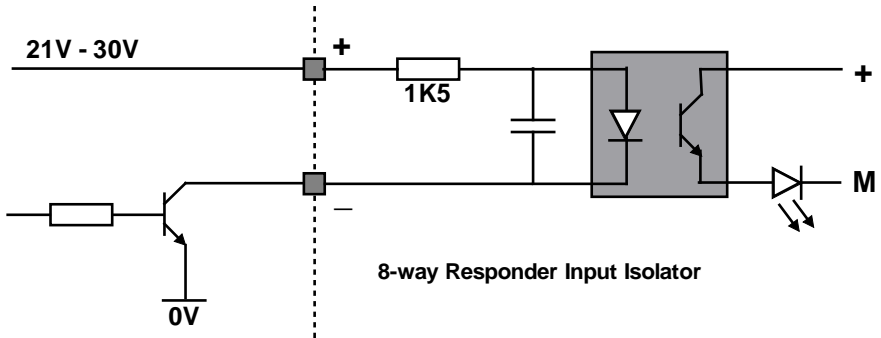
This device provides the Loop Responder with a 10 K EOL monitoring resistor, features Red LED indication of input activation (Non – latching), and has a 1K5 current limiting resistor on the input of each isolated circuit.

### 8-way Responder Input Isolator Connections:

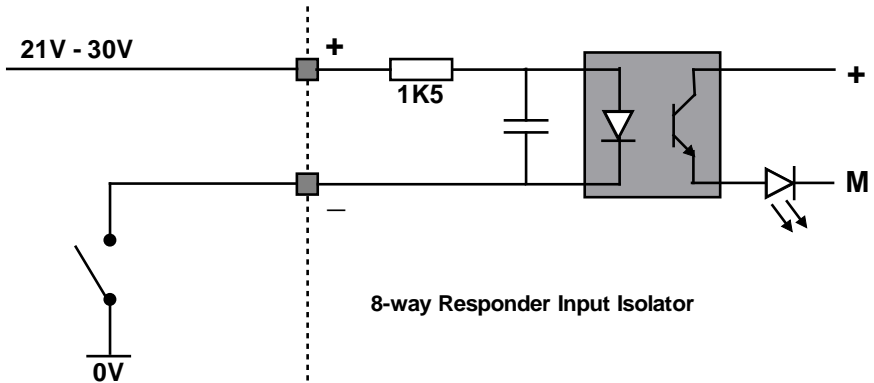


## Input Drive Configurations:

### Configuration 1



### Configuration 2



## Ordering Information:

Product Code	Description
F100ZIPB	AA Loop Responder 8 Way Opto-isolated IP Board