

Horn Speakers

CF2050G

10W 100V Line IP66 ABS AS ISO7240.24 Horn Speaker - Grey



Overview

Designed to meet the AS ISO7240.24 fire/evac standard without the need for external equalisation. These horns are both compact and packed with features designed to cut down installation time. Available in grey, black and white versions.

Features

- Designed to meet AS ISO7240.24 for fire/evac installs
- Requires no external EQ for AS ISO7240.24 fire systems
- Twist lock cap reduces installation time
- UV stabilised ABS construction
- Excellent sound dispersion
- IP66 rated for weather resistance
- EWIS line monitoring system compatible
- Two cable glands supplied for loop in, loop out wiring
- Stainless steel mounting hardware
- 5 year warranty

Application

The One-Shot horn is primarily used for fire and evacuation systems where a high degree of speech articulation and program clarity is paramount. Typical applications include schools, train and bus stations, airports, car parks and plant rooms. Approved for use in Australia under the AS ISO7240.24 standard (no external EQ required)

About Redback® Speaker Drivers

Each horn speaker has been specifically engineered to ensure a wide frequency range and dispersion angle, plus a high sound pressure level (SPL) ensuring excellent music and speech intelligibility; which is highly desirable.

Redback® horn speakers exhibit optimum frequency response and efficiency.

Redback® horns are subject to strenuous factory testing reducing the risk of unit failure or performance reduction over time.



Installation Guidelines

This One-Shot horn speaker is designed to save installers time and money. Typically to terminate cabling internally on a horn speaker it involves removing three screws on the rear cover, connecting the cable and then re-installing the same screws. This



process can prove quite difficult when at the top of a ladder. The One-Shot horn eliminates screw removal by utilising a patented twist lock mechanism. The installer simply twists off the rear cover, connects the cabling and twists the cover back on. The labor savings by using the One-Shot horn on a large job are significant. To further cut installation time, a patented 'dog leg' mounting bracket is employed which eliminates the need to separate the horn from the bracket during installation.

This model is supplied with an in-built bipolar capacitor making it compatible with EWIS control systems employing line monitoring circuitry. Supplied with stainless steel hardware. The grey, black and white colour options provide an architecturally unobtrusive finish to virtually any installation.



Horn Speakers

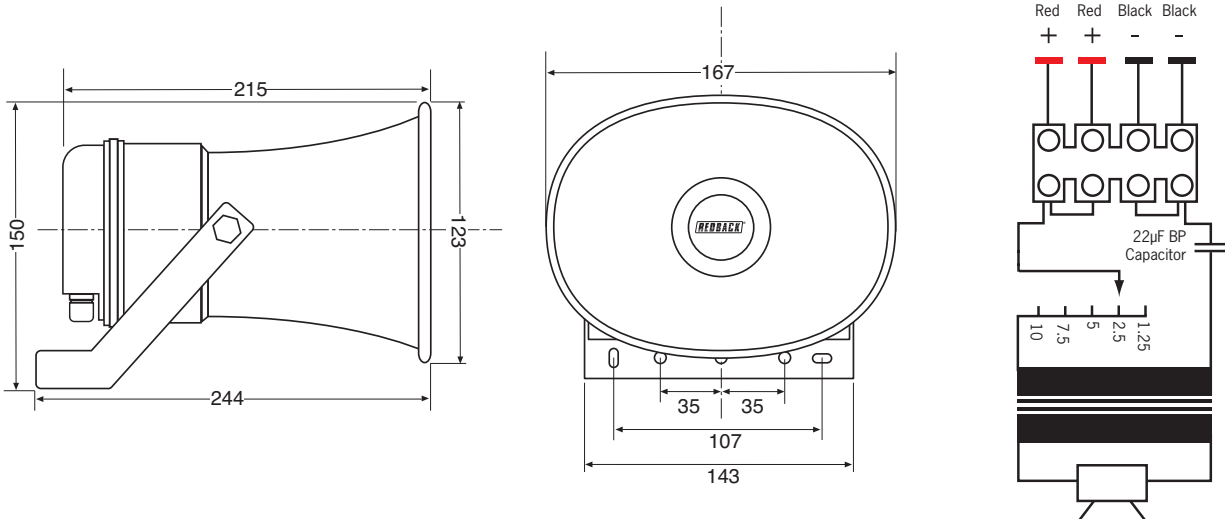
CF2050G

10W 100V Line IP66 ABS AS

ISO7240.24 Horn Speaker - Grey



Dimensions (mm) & Transformer Details



Specifications

Rated noise power	10 Watts (100V line)
Power taps & impedance	1.25W (8kΩ), 2.5W (4kΩ), 5W(2kΩ), 7.5W (1.33kΩ), 10W (1kΩ)
Sensitivity	Horizontal 104dB (1W @ 1m), 92dB (1W @ 4m) Vertical 103dB (1W @ 1m), 91dB (1W @ 4m)
Max SPL	Horizontal 112dB (10W @ 1m), 100dB (10W @ 4m) Vertical 112dB (10W @ 1m), 100dB (10W @ 4m)
Frequency response	100Hz - 12.5kHz, 500Hz - 6.3kHz 0±5dB
Coverage angle (-6dB)	Horizontal 500Hz: 95°, 1kHz: 120°, 2kHz: 90°, 4kHz: 40° Vertical 500Hz: 130°, 1kHz: 130°, 2kHz: 115°, 4kHz: 55°
Environmental type	B (for outdoor applications as per standard)
Speaker component	Aluminium voice coil former
Mounting Depth	259mm
Mounting method	Wall bracket with mounting holes
Line monitoring	Yes, 22µF bipolar capacitor
Applicable cable	2.5mm ² (14AWG) max conductor area
Connection	4 way screw terminal
Finish	Flame retardant ABS (Absolac 300 MFR)
IP rating	IP66
Operating temperature	-20°C to 55°C
Weight	1.4kg
Quantities	10 per carton, 200 per pallet

Architect Specifications

The horn speaker shall operate at 100V and have power taps of 10W, 7.5W, 5W, 2.5W and 1.25W. Power settings shall be made internally. It shall have SPL of 104dB (1W @ 1m). It shall have a frequency response of 250Hz to 10kHz and a dispersion angle of 127° @ 1kHz. It shall require no additional equalisation. It shall have a 22µF bipolar isolation capacitor for line monitoring.

The speaker body shall be made of flame retardant ABS and be fitted with a twist lock cap, dual cable wiring glands and 'dog leg' mounting bracket. The speaker shall incorporate stainless steel hardware and steel mounting bracket. The speaker shall meet the approval requirements of AS ISO7240.24. The speaker shall be IP66 rated. The horn speaker shall be a REDBACK model CF2050G.