

# PERTRONIC INDUSTRIES LTD

## DATASHEET

### Analogue Addressable Manual Call Point

#### MCP5A-RP02SF-K013-01



## Overview

The Analogue Addressable Manual Call Point (MCP5A) is a manually-operated fire alarm switch.

The MCP5A has a flexible plastic activating panel. When pressed, this flexible element slides downward, activating an internal switch which triggers the alarm signal. The flexible element remains in the activated position until it is physically reset.

When activated, the MCP5A sends an alarm signal to the fire panel. An indicator LED on the front of the MCP5A lights continuously in the alarm condition, confirming that the fire panel has received the alarm signal.

The MCP5A communicates with the fire panel over the analogue addressable (AA) circuit. The MCP5A's address on the AA circuit is configured using two rotary switches on the underside of the product. These switches are accessible only if the MCP5A is removed from its mounting. The MCP5A's indicator LED may be configured to blink periodically, confirming that the AA circuit and the MCP5A are operating normally.

The MCP5A manual call point is supplied with a test key (SC070). When inserted into the call point, the test key triggers an alarm condition without moving the flexible element. The MCP5A returns to normal when the test key is removed.



*Analogue Addressable Manual Call Point  
MCP5A-RP02SF-K013-01*

The test key is also used to remove the lower part of the front panel to reset the flexible element, to access the mounting screws, or to change the flexible element.

To comply with the requirements of AS 1670.1:2018, this manual call point must be fitted with a PS200 protective hinged cover (sold separately).

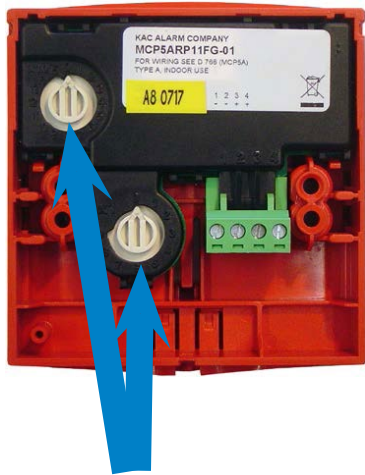
## Features

- » Analogue addressable communication
- » Flexible element may be reset using the test key (SC070)
- » Integral red LED controlled by the fire panel. Blink - normal; Continuous - alarm
- » Plug-in four-way screw terminal connector for Line In + Line Out termination
- » Rotary address switches
- » Built in isolator
- » Low standby current
- » Inserting test key activates the alarm condition without disturbing the flexible element
- » Supplied complete with
  - » Back-box for surface mount applications
  - » Test key
- » Activfire listed afp - 3158

## Specification

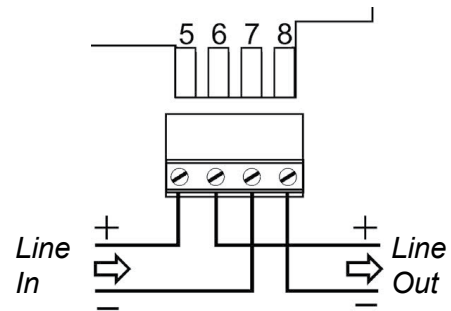
<b>Operating Voltage</b>		15 Vdc to 30 Vdc	<b>Dimensions</b>	89 x 93 x 59.5 W x H x D mm (in surface-mount back-box)
<b>Current</b>	<b>Quiescent</b>	120 $\mu$ A @ 24 Vdc	<b>Weight</b>	180 g
	<b>Alarm</b>	7.0 mA @ 24 Vdc		
<b>Colour</b>		Red, RAL3001	<b>Cable Termination</b>	0.5 mm <sup>2</sup> to 2.5 mm <sup>2</sup>
<b>Operating Temperature</b>		-10 °C to 55 °C	<b>IP Rating</b>	IP24D
<b>Humidity</b>		$\leq$ 95 % RH non-condensing	<b>Material</b>	PC & ABS

## Address Switches

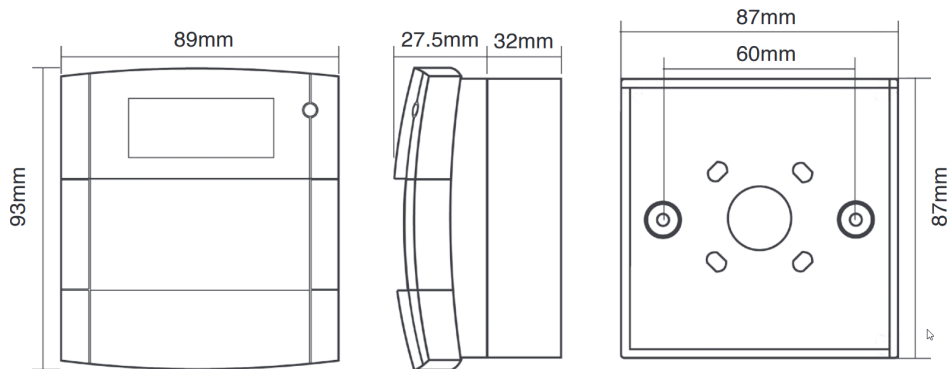


*Rotary address switches*

## Connection



## Outline



## Ordering Information

Product Code	Description
MCP5A-RP02SF-K013-01	Resettable AA Manual Call Point, Red, with Isolator and Back-Box
SC070	Test Key for Manual Call Points
PS200	Protective Hinged Cover for Manual Call Points

The information in this document must not be treated as partial or complete instructions for the design, construction, installation, commissioning, or maintenance of fire detection, fire alarm, or building evacuation systems. Fire and evacuation systems must be designed and installed by properly qualified persons, in accordance with all regulatory requirements.

Unless explicitly stated otherwise, this document provides typical specifications and nominal dimensions. Actual product performance and dimensions may vary.

All information in this document is subject to change. Please consult Pertronic Industries or visit our web site for up to date information. PERTRONIC® is a registered trademark of Pertronic Industries Limited.