

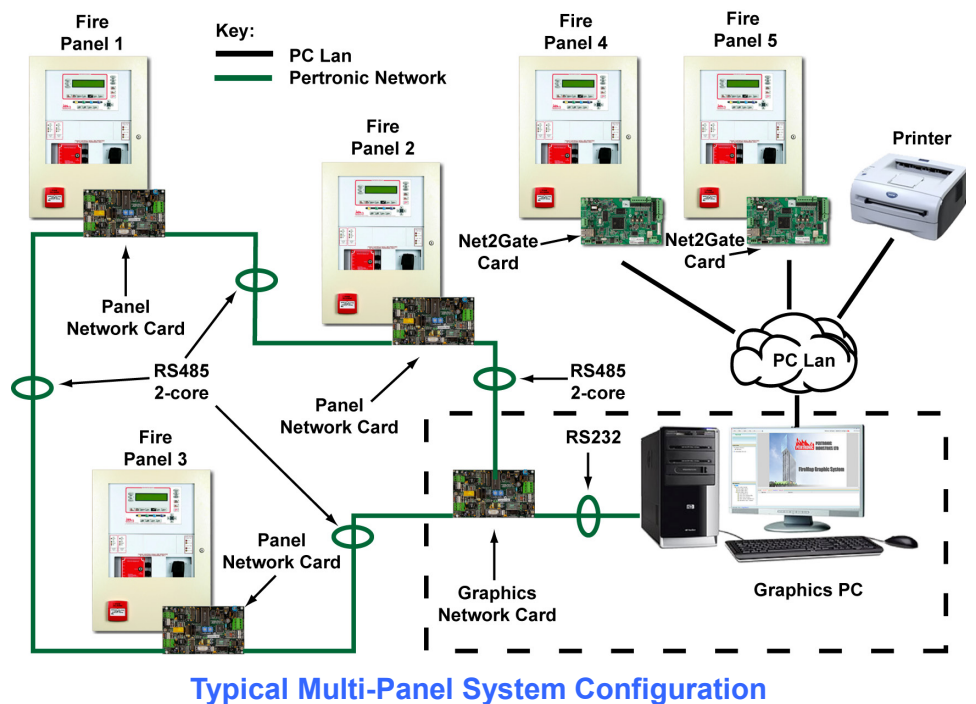


# FireMap Graphics

## Product Overview:

The **Pertronic FireMap® Graphics Display System** has been designed with **ease of use** as a paramount objective. Users are assigned security levels and passwords by the system manager to allow access to those features they need.

The system allows navigation via a hierarchical map navigation view, which is always visible. In the event of an alarm, the relevant map is automatically shown, indicating the position of the device in Alarm, along with the event details.



## Features:

- » Accepts single or multiple individual or networked Pertronic panel connections
- » Connection via direct RS232 or Ethernet (LAN)
- » Gateway Interface option for individual panels (RS232-LAN conversion)
- » Commercial RS232-LAN converter option for network interface
- » Imports F120A and F100A panel configuration text files for device data and location details
- » Allows the user to carry out all map edition functions, including placement or movement of devices, using simple **'drag and drop'** functionality
- » Simple synchronization of panel configuration and graphics database
- » Visibility of devices not yet placed onto maps
- » Displays precise positioning of individual addressable devices within maps
- » Colour coded display of each device's current status
- » Utilizes \*.png or \*.jpg format files for map creation
- » User creation of zone boundaries
- » Current view print option at all times
- » Overall system status indication by panel
- » Configurable 'Home' view page
- » Different distinctive sounds for event types
- » User 'note' leaving function for other users
- » Pager alert option available
- » Loop device status download via Ethernet Gateway MK2 Interface
- » Allows individual device or zone isolation and reset from alarm
- » Panel/s can be individually directly controlled and interrogated from the PC
- » Multiple user access with security login
- » Runs on Microsoft Windows 7, 8 and 10

## Specifications:

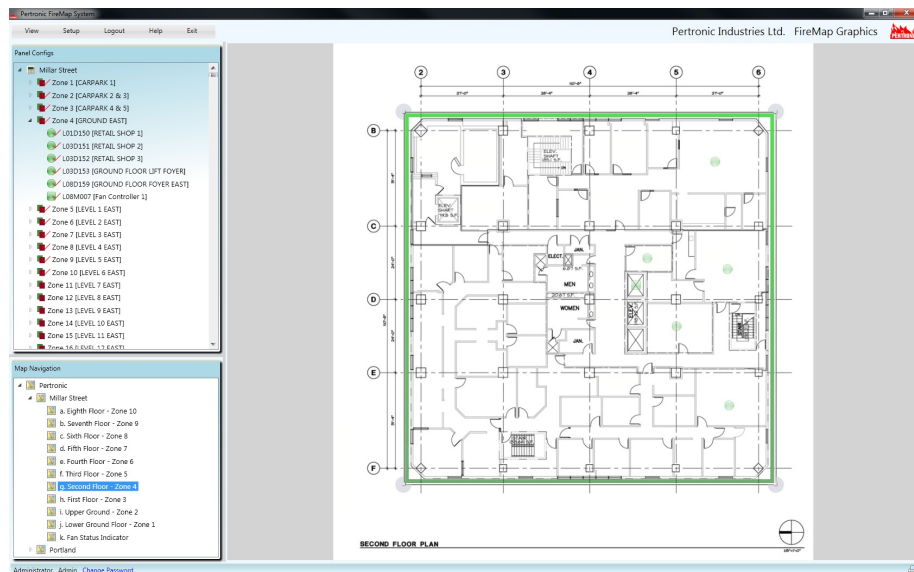
### » Minimum PC Specification

3GHz CPU, 2GB HDD, 1 x RS232, 2 x USB2.0, DVD RW  
 Windows 7, 64-bit  
 TFT Screen 20" minimum  
 1680 x 1050 (or higher) WSXGA (aspect ratio 1.6:1)

## FireMap® Graphics System Screen Examples:



Monitoring Mode



Configuration Mode

## Ordering Information:

Product Code	Description
FIREMAP	FireMap Graphics software Licence
NETCARD	Network Card - F100A/F120A Panels / LED Mimics
NETCD-NCU	Network Card for Network Control / Display Unit
NET2GATE	Ethernet Gateway Card MK2