



Addressable Detector Base Sounder Strobe

Product Overview:

The **Addressable Detector Base Sounder Strobe (BSS-DR-N34)** is a high quality loop powered device designed to alert building occupants of an emergency. It utilises the System Sensor B501AP base for improved installation flexibility and integrates seamlessly with System Sensor intelligent detectors. When triggered by the fire panel its intense strobe gives a highly visible warning.

This non-isolated loop device integrates a sounder, strobe, and detector base into a single unit. On-board switches select one of 32 optional two-stage tone sets. The sounder can be switched between stage one and stage two by the fire alarm control panel. On-board switches also control sound volume and independent sound and/or strobe functions.

Any analogue addressable sensor from the Pertronic range of 200 series System Sensor devices may be installed in the detector base.

The sounder/strobe is powered by the fire alarm control panel via the loop wiring. It is installed simply by a twist fit onto the B501AP base.



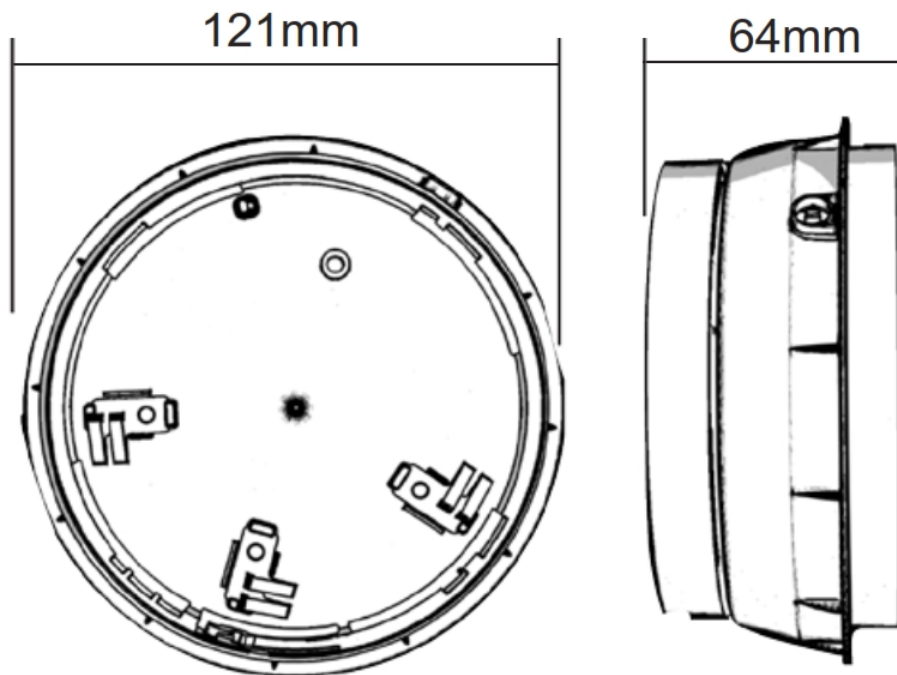
**Addressable Detector Base
Sounder Strobe BSS-DR-N34**

Features:

- » High efficiency piezo disk and horn profile generate excellent sound output
- » High output LED technology and superior lens design optimize light output
- » First or second stage tone controlled by the fire alarm control panel
- » 32 optional two-stage tone sets
- » On-board switches for independent strobe and/or sounder function
- » Simple familiar rotary wheel address controls
- » Adjustable volume control
- » Rear or surface cable entry
- » Automatic synchronisation of sounder and strobe
- » Low current draw enables more devices on loop
- » Anti-tamper feature

Specifications:

» Dimensions (in B501AP base)	121 mm x 74.5 mm	diameter x depth
» Weight	200 g	
» Terminal Size	1.5 mm ² to 2.5 mm ²	
» Number of Tone Sets	32	
» Supply Voltage	15 VDC to 32 VDC	
» Max Current Consumption Sounder and Strobe	14.7 mA (High Volume Tone 21 @ 24 VDC)	
» Max Sound Output	97 dBA ± 3 dB @ 1 m (High Volume, Tone 8 @ 24 VDC)	
» Standby Current	120 µA	
» Strobe Flash Rate	1 Hz	
» Humidity	10 % to 95 % RH, non-condensing	
» Operating Temperature	-25 °C to 70 °C	
» Volume Setting	High, Medium, Low	
» Lens Colour	Red	



Ordering Information:

Product Code	Description
BSS-DR-N34	Addressable Detector Base Sounder Strobe(Red), White Base, Non Isolation
B501AP-IV	Addressable Detector Base – Ivory (for use with Addressable Sounder)