



10 Watt Horn Speaker IP66 Outdoor

Product Overview:

The **10 Watt IP66 Outdoor Horn Speaker BCS-HS10E** is a high-efficiency 100 Volt line speaker designed for emergency warning systems. It is more than ten decibels louder than a cone-type speaker with the same input power. Screwdriver adjustable power taps facilitate sound level adjustment to meet project requirements such as area coverage and ambient noise level. The adjustable mounting bracket makes it easy to position the horn speaker for optimal sound dispersion.

The grey enclosure is made from tough UV-stabilised ABS suitable for exterior use.

To ensure compliance with Australian standards, the horn speaker is wired for Loop In/Loop Out connection and incorporates a 100Vrms line transformer and a series blocking capacitor.

An excellent choice for industrial and commercial applications such as plant rooms, car parks, passenger terminals, schools, hospitals and factories.



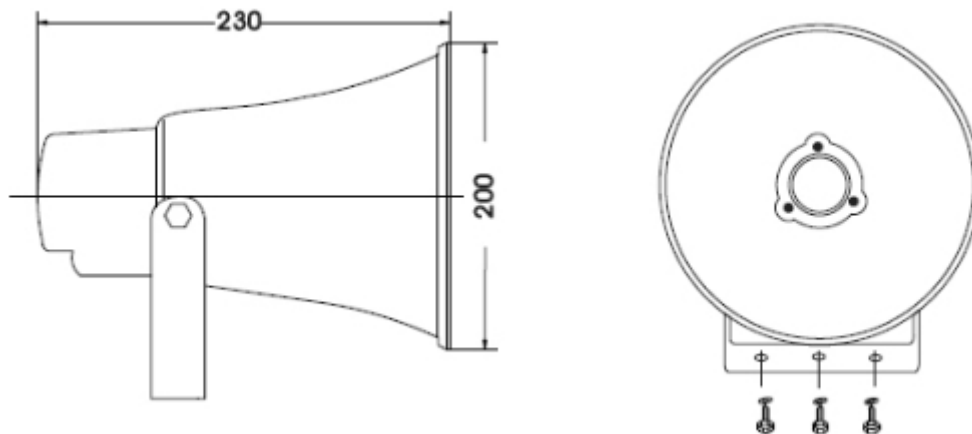
10 Watt Horn Speaker BCS-HS10E

Features:

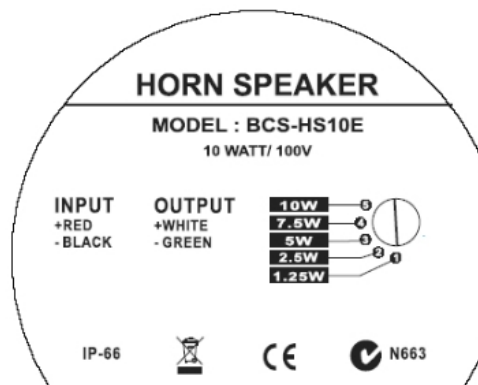
- » Very high acoustic efficiency
- » Suitable for indoor or sheltered outdoor locations
- » Excellent speech reproduction
- » Very wide sound dispersion
- » UV stabilised ABS construction
- » Sturdy adjustable mounting bracket
- » Screwdriver adjustable power tapping
- » Loop In / Loop Out connection
- » Fitted with series blocking capacitor
- » Compatible with EWS line monitoring systems
- » IP66 dust and water resistance

Specifications:

» Maximum Power	10 W
» Input Voltage	100 VRMS
» Power Tappings	1.25 W, 2.5 W, 5 W, 7.5 W, 10 W
» Tap Selection	Screwdriver Operated Rotary Switch
» Sound Pressure @ 1 Watt	108 dB SPL @ 1 m, 1 kHz
» Maximum Sound Pressure	119 dB SPL @ 1 m, 1 kHz
» Frequency Response	300 Hz – 13 kHz
» Dispersion Angle:	140° @ 1 kHz (-6 dB)
» Connections	Loop In – Loop Out
» Cable	4 core flying lead
» Series Capacitor	22 µF Bipolar
» Dimensions	Flare 200 mm Ø x 230 mm L
» Weight	1.3 kg
» Colour	Grey
» Operating Temperature	-20 °C to +55 °C
» Ingress Protection	IP66 (Dust-tight, Protected against strong water jets.)



Tappings:



Ordering Information:

Product Code	Description
BCS-HS10E	Bosch 10W Horn Speaker IP66