



100 mm Surface Mount Ceiling Speaker

Product Overview:

The **100 mm Surface Mount Ceiling Speaker C0703/C0704** is designed for EWIS (fire & evacuation) installation. It is moulded from industrial grade polypropylene and designed to mount directly to the underside of concrete slabs or inaccessible ceilings. The housing features the One-Shot mounting system for quick installation. It is ideal for use in plant rooms, warehouses, shopping centres, malls etc.

This speaker and transformer combination is designed for both paging announcements and emergency tones in EWIS systems. The speaker must be fitted with transformer safety cover, line monitoring capacitor and 4 way wire protect terminal connection. Each custom designed speaker and transformer combination has been specifically engineered to ensure a wide frequency range and dispersion angle, plus a high sound pressure level (SPL) ensuring excellent music and speech intelligibility, which is critical for emergency paging applications. Each transformer is fitted with multiple power settings which are user selectable via taps on the transformer.

The **C0703/C0704** can be installed in seconds providing substantial labour cost saving for the professional installer compared to traditional mounting methods. Speaker cable entry can be either from the rear, or via surface mounted conduit (four 19 mm conduit knockouts are provided). The neutral white RAL colour of C0703 provides an architecturally unobtrusive finish to virtually any installation. The transformer is fitted with a 4 way wire protect screw terminal block. This is suitable for loop in, loop out cabling.



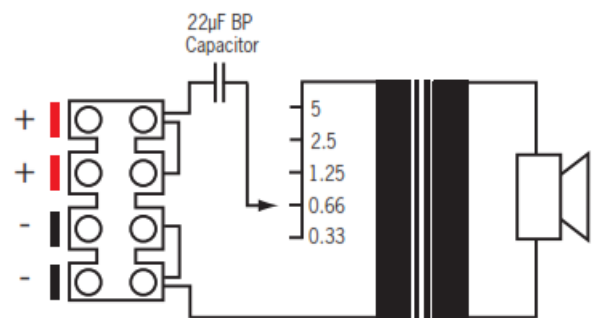
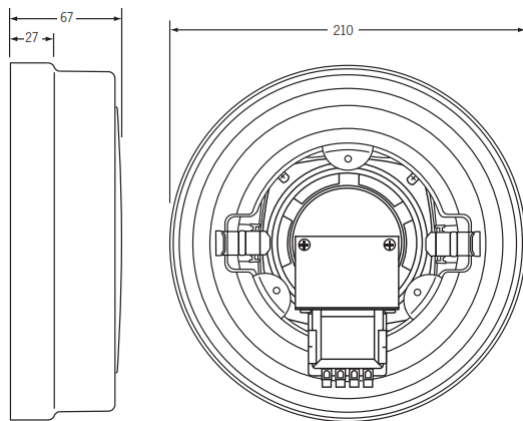
C0703

Features:

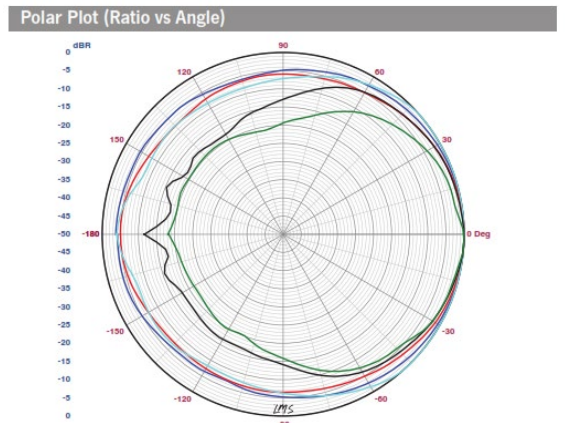
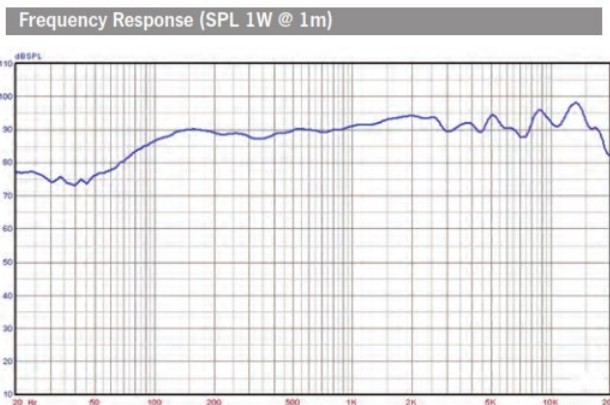
- » Available in white (C0703) and black (C0704)
- » Excellent speech intelligibility
- » High quality speaker driver developed for BGM, paging and emergency warning applications
- » "One-Shot" mounting system cuts installation time
- » Fitted with 4 way wire protect terminal block for loop in, loop out wiring as required AUS standards
- » Fitted with supervisory capacitor for line monitoring
- » High impact enclosure & grille
- » Complies with AS 1670.4

Specifications:

» Enclosure Diameter	210 mmØ
» Depth	67 mm
» Weight	900 g
» Power Taps	0.33 W, 0.66 W, 1.25 W, 2.5 W, 5W
» Sound Pressure	91 dB SPL @ 1 W, 1 m, 1kHz (± 2 dB)
» Frequency Response	100 Hz to 15 kHz
» Connection	4 way terminal block + 22 µF bipolar capacitor
» Humidity	< 95 % RH, non-condensing
» Operating Temperature	-25 °C to 55 °C
» Colour	White
» Enclosure Material	Polypropylene
» Driver Construction	Paper twin cone



Power tap shown selected to factory default setting.



	500Hz	1kHz	2kHz	4kHz	6kHz
SPL 1W @ 1m (dB)	89.7	91	94	91.5	92.5
Beam Width (BW)	280	167	164	120	80
Q-Factor	1.3	2.2	2.2	3.0	4.5
Directivity Index (DI)	1.1	3.3	3.4	4.9	6.5

Ordering Information:

Product Code	Description
C0703	100mm (4") Surface Mount – One Shot Speaker - White
C0704	100mm (4") Surface Mount – One Shot Speaker - Black