



Ceiling Grills C0805 / C0815

Product Overview:

These slim-line speaker grills have several advantages over traditional grills. They both enable the speaker to be recessed into the body of the grill which results in a smaller hole required in the ceiling. This in turn allows a greater distance between the outside of the cutout and fixing screws of the grill. This has been a major problem in the past with smaller speakers, as the material left between the cutout and fixing holes would often break away. Both the **C0805** and **C0815** have push-in caps which conceal the fixing screws and both can be fixed to gypsum or plasterboard ceiling with the self-drilling and tapping C0825 'Gypsee screws. The speaker can be mounted on the grill and then the entire assembly mounted into place as one unit. Their ultra-slim profile makes them suitable for architecturally sensitive applications.



C0805



C0815

Features:

- » Ultra slim profile
- » High acoustic transparency
- » Push in caps to conceal mounting screws
- » Simple to install
- » Loudspeaker recesses into grill body
- » Constructed from tough, high-impact polystyrene
- » Grills can be painted to match surrounding decor

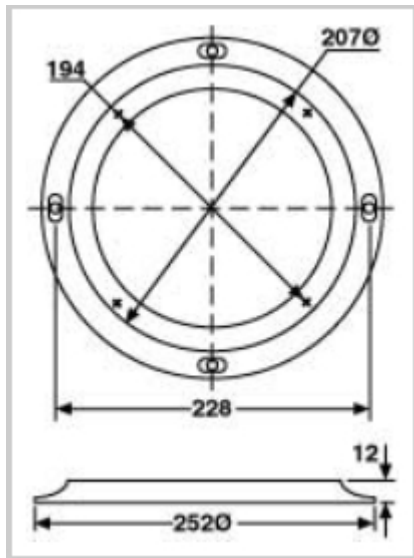
Specifications:

C0805 Specifications:

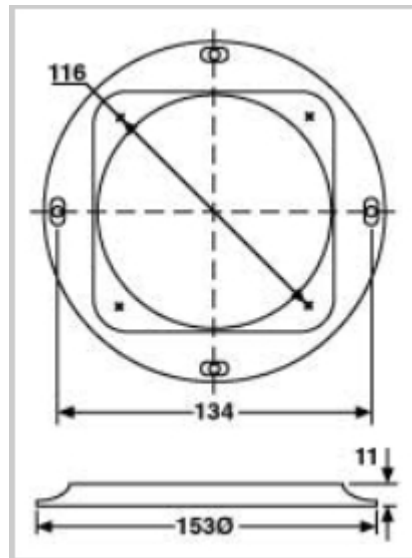
- » Overall Diameter 252 mm
- » Screw Holes 6 mmØ

C0815 Specifications:

- » Overall Diameter 153 mm
- » Screw Holes 6 mmØ



C0805



C0815

Ordering Information:

Product Code	Description
C0805	200 mm (8") Ceiling Speaker Grill - White
C0815	100 mm (4") Ceiling Speaker Grill – White Slim