



10 Watt Horn Speaker, IP66

Product Overview:

The **10 Watt Horn Speaker C2053** offers a high degree of speech articulation and program clarity, essential to meet today's demanding evacuation standards.

Although the C2053 Speaker is suitable for general paging applications, it is primarily designed for Emergency Evacuation Systems. Supplied with an in-built bipolar capacitor, it is compatible with EWIS Control System utilising line-monitoring circuitry. It is also fitted with a 4-core termination lead to provide connection point for loop In, Loop Out wiring, as required by Australian Standard.

Compact, yet very efficient with a high SPL of 104 dB, 1 W @ 1m, this Horn Speaker is ideal for car parks, plant rooms, industrial plants, schools, train/bus stations and airports, etc.

The desired power tapping is selected using a screwdriver adjustable switch.

The speaker is supplied with nickel plated chrome hardware.



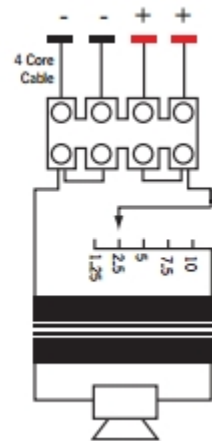
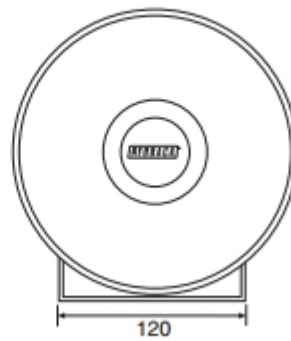
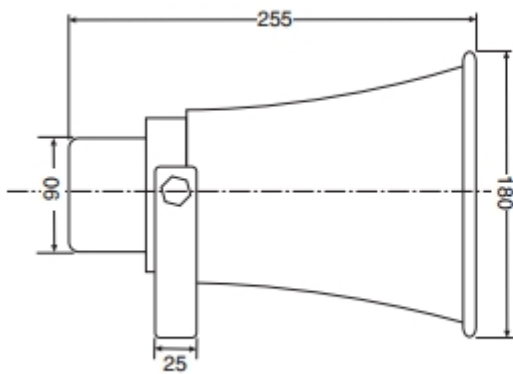
**10 Watt Horn Speaker
C2053**

Features:

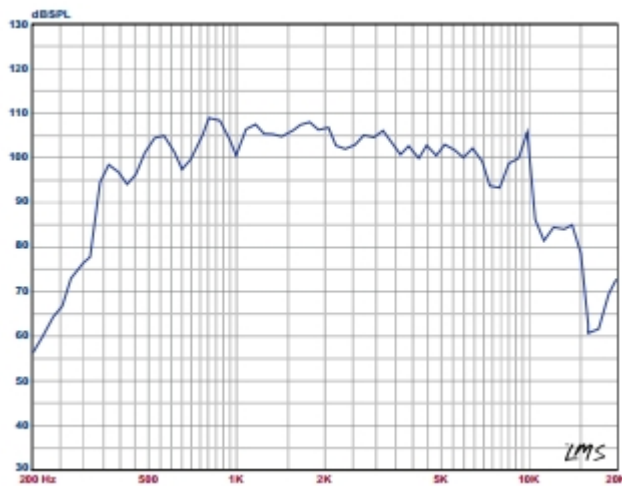
- » Tough UV-stabilised ABS plastic
- » Emergency Evacuation System ready
- » High SPL Performance
- » Excellent speech intelligibility
- » Outstanding reproduction quality
- » Multi-tap transformer
- » IP66 Rated
- » Neutral two-tone grey colour
- » 100 VRMS rating
- » 5 power settings - 1.25 W to 10W
- » Engineered to meet AS1670.4

Specifications:

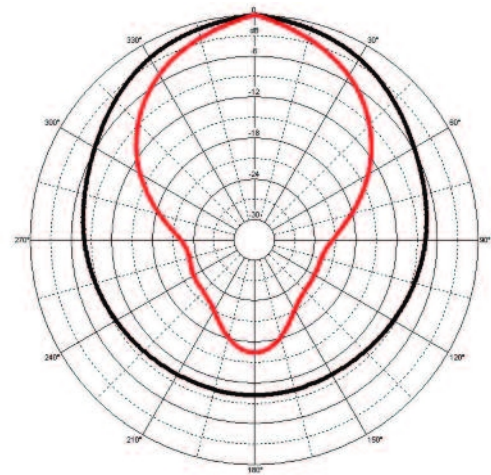
» Dimensions	180 x 255 mm	Diameter x Length
» Weight	1.8 kg	
» Power Taps	1.25 W, 2.5 W, 5 W, 7.5 W and 10 W	
» Sound Pressure at 1 Watt	104 dB SPL 1m, 1 kHz, (± 2 dB)	
» Sound Pressure, Maximum	114dB SPL 1m, 1 kHz, (± 2 dB)	
» Frequency Response	340 Hz – 10 kHz	
» Dispersion Angle	110°	
» Operating Temperature	-20 °C to 55 °C	
» Ingress Protection	IP66	



Frequency Response (SPL 1W @ 1m)



Polar Plot (SPL v. Angle):



1 kHz 2 kHz

Ordering Information:

Product Code	Description
C2053	Speaker Horn, 100 Volt Line, 10W