



# Horn Speaker 10 Watt IP66 CF2053

## Product Overview

---

The **Horn Speaker, 10 Watt, IP66** is a high-efficiency AS ISO 7240.24-certified 100V-Line speaker designed for emergency warning systems. It is more than seven decibels louder than a cone-type speaker with the same input power.

Adjustable power taps provide sound level adjustment to meet project requirements such as area coverage and ambient noise level.

The rear cover is attached with a twist-lock mechanism. This provides tool-free access to the screw terminals, to save time when terminating the cables.

The offset mounting bracket can be installed without detaching the speaker.

The enclosure is made from tough UV-stabilised flame-retardant ABS.

To ensure compatibility with commonly-used fire evacuation systems, the speaker incorporates a series blocking capacitor and 100V-Line transformer.



Horn Speaker 10 Watt IP66 AS ISO 7240.24, White (CF2053W)

## Features

---

- » High acoustic efficiency
- » Wide sound dispersion
- » Available in black (CF2053B), grey (CF2053G), and white (CF2053W)
- » Offset mounting bracket
- » Tool-free access to terminal block
- » Two cable glands provide for separate loop in and loop out cables
- » Four-way screw terminals for loop in/loop out connection
- » Adjustable power tapings
- » Sensitivity: 98 dB SPL at 1 Watt, 1 metre (pink noise per AS ISO 7240.24)
- » Fitted with series blocking capacitor and 100 V<sub>RMS</sub> line transformer
- » Compatible with EWS line supervision systems
- » IP66 dust and water resistance
- » UV-stabilised fire-retardant ABS construction
- » Stainless steel mounting hardware
- » Independently tested to AS ISO 7240.24:2015, Type B (requires active equalisation)
- » Activfire Certificate Number afp-3200

## Specifications

<b>Rated Power</b>	10 W @ 100 Volts RMS
<b>Rated Input Voltage</b>	100 Volts RMS
<b>Transformer Power Taps</b>	1.25 W, 2.5 W, 5 W, 7.5 W, 10 W
<b>Sensitivity (Pink noise per AS 7240.24)</b>	98 dB SPL @ 1 W, 1 m
	86 dB SPL @ 1 W, 4 m
<b>Max. Sound Pressure</b>	110 dB SPL @ 10 W, 1 m
	98 dB SPL @ 10 W, 4 m
<b>Frequency Response (with equalisation)</b>	250Hz - 10kHz
	500Hz - 4kHz 0±5dB
<b>Coverage Angle (-6dB)</b>	500Hz: 88°, 1000Hz: 127°, 2000Hz: 79°, 4000Hz 58°
<b>Applicable Cable</b>	Fire-resistant cable
<b>Connection</b>	4-way terminal blk, Loop In – Loop Out
<b>Max. Conductor Area</b>	2.5 mm <sup>2</sup> (single core)
<b>IP Rating</b>	IP66
	AS ISO 7240.24 Type B
<b>Dimensions (excl. bracket)</b>	∅ 180 mm x 275 mm
<b>Weight</b>	1.8 kg
<b>Operating Temperature</b>	-20 °C to + 55 °C
<b>Humidity</b>	< 95 % RH, non-condensing
<b>Material, Housing</b>	UV-stabilised flame-retardant ABS
<b>Material, Mtg Hardware</b>	Stainless Steel

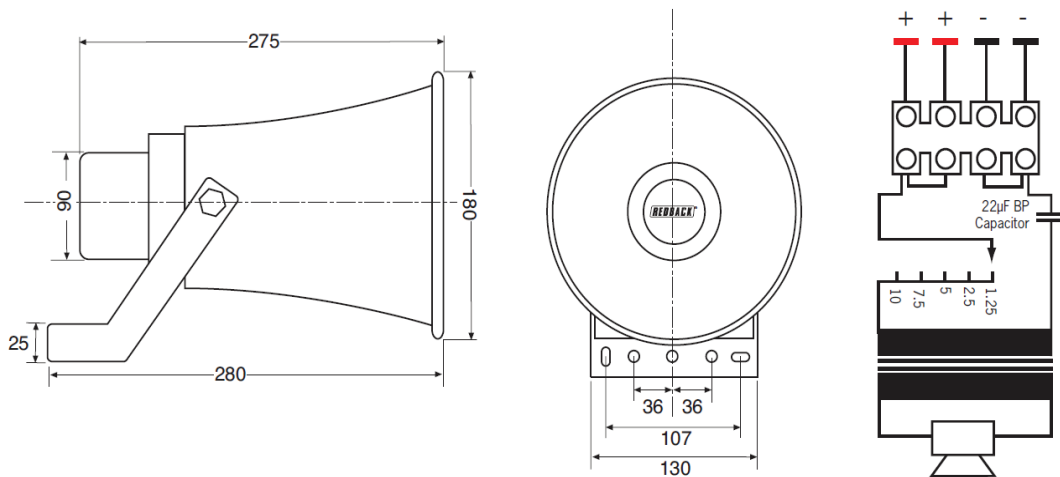
## Equalisation

1/3rd Octave Band Centre (Hz)	Equalisation (dB)
800	-1.0
1000	-3.0
1250	-4.5
1600	-4.5
2000	-2.5
2500	-1.0
3150	0.5
4000	2.0
5000	5.0
6300	6.5
8000	7.0
10000	7.0



A twist-lock mechanism simplifies access for termination.

## Outline, Dimensions, and Connections



## Ordering Information

Product Code	Description
CF2053B	Horn Speaker 10W IP66 AS ISO 7240.24 Black
CF2053G	Horn Speaker 10W IP66 AS ISO 7240.24 Grey
CF2053W	Horn Speaker 10W IP66 AS ISO 7240.24 White

0940 Datasheet AU Horn Speaker 10 W IP66 CF2053 Issue 1.0 20180730