



Detector Base Sounder

Product Overview:

The **Conventional Detector Base Sounder (DBS1224B4W)** operates over a wide input voltage range of 9 Vdc to 33 Vdc and is optimised for use in 12 V and 24 V systems, making it suitable for use in both fire and security applications.

This 4-tone conventional wall mount sounder has locally controllable output levels to enable the sound intensity to be adjusted to suit the application. The sounder is designed to give optimum performance at a nominal 24 Volt.

The detector base sounder is suitable for fire detectors with 60 mm mounting centres. The sounder can also be fitted with a red or white lid in place of a fire detector, enabling it to be positioned vertically on the wall. This arrangement provides an extremely low profile unit which is unobtrusive and protrudes only 35 mm from the wall.

This distinctive low profile shape is acoustically very efficient, producing an omni-directional high sound output at low current levels. Rugged construction with solid state electronics also provides high reliability and stable performance.



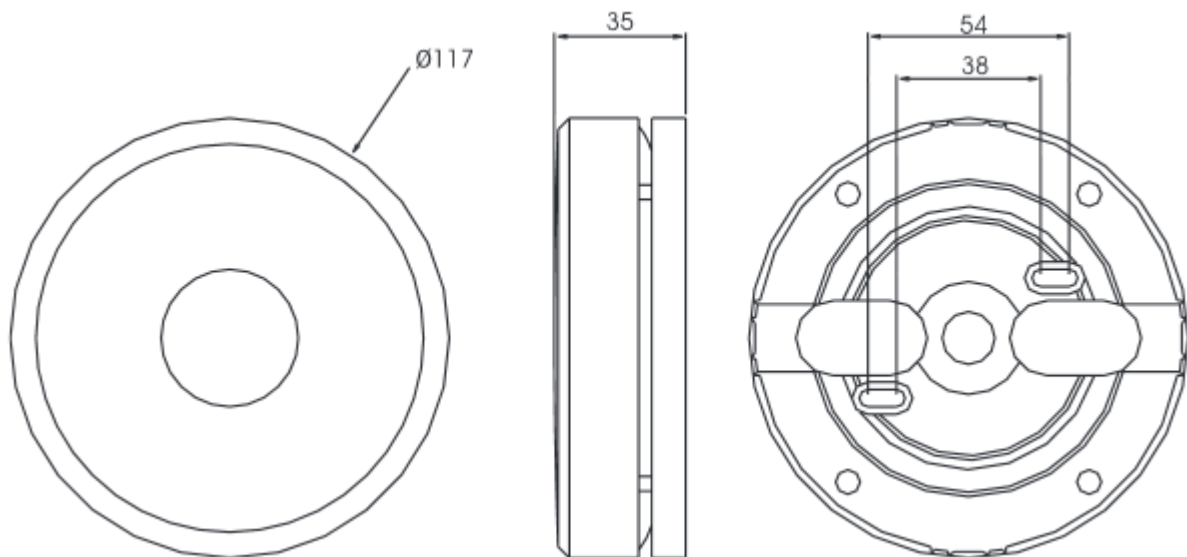
**Detector Base Sounder
(DBS1224B4W)**

Features:

- » 4 tone sounder
- » High sound output
- » Low current consumption
- » Volume control
- » High reliability and stable performance
- » Lid accessory available to enable vertical installation
- » Market specific tone sets available

Specifications:

» Dimensions	117 mm x 35 mm	Diameter x Depth
» Weight	220 g	
» Cable Termination	0.5 mm ² to 2.5 mm ²	
» Operating Voltage	9 Vdc to 33 Vdc (Approved 10 V – 14 V and 21 V – 27 V)	
» Sound Output	Up to 92 dB(A) @ 1 m	
» Humidity	Up to 96% RH @ 55 °C	
» Operating Temperature	-25 °C to 70 °C (with sealing kit)	
» Ingress Protection	IP24D	
» Colour	White	
» Material	PC/ABS	



Ordering Information:

Product Code	Description
DBS1224B4W	Detector Base Sounder, 4 Tone, White

0940 Detector Base Sounder Iss 1.1 20180228