



Dual Strobe Unit (Amber / Red)

Product Overview:

The **Pertronic Dual Alert-Evac Strobe** is designed to provide selective high visibility indication for 24 Vdc (nominal) based emergency evacuation systems and supports 2-wire, 3-wire and 4-wire modes of operation.

Housed in easy to install enclosure, the Dual Alert-Evac Strobe may be wall or ceiling mounted.

This unit is recommended for factories, rest homes, hospitals, and supplementary indication for suppression systems etc. in conjunction with audible evacuation systems.

Units may be connected to provide the required alerting indication, as each strobe may be independently driven.

The Dual Strobe is supplied complete with EVACUATE and ALERT labels. The label may be fitted on to the strobe, oriented to suit the mounting position (see photos).



DUALSTROBE, showing typical label orientations

Features:

- » Supplied complete with EVACUATE and ALERT labels
- » Easy two part installation with quick access for maintenance
- » Ceiling or wall mounting
- » Ultra high visibility xenon strobe indication (1 x Red, 1 x Amber)
- » 20 Vdc to 30 Vdc operation
- » Low Current Draw: 50 mA per strobe
- » 2-wire, 3-wire or 4-wire operation
- » Suitable for indoor or protected outdoor use
- » Single screw housing attachment

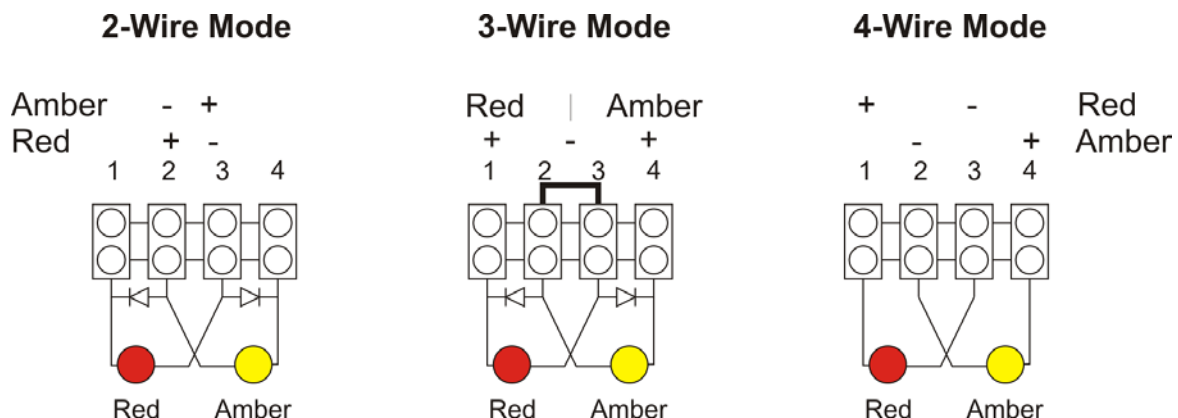
Note: 2-wire, 3-wire and 4-wire operation for use with suppression systems.

Only 4-wire operation for use with fire alarm panels.

Specifications:

» Dimensions	190 x 97 x 67.5	W x H x D mm
» Weight	464 g	
» Enclosure Colour	White	
» Mounting	Keyhole type at 150 mm separation (7.5 mm Dia. Screw head Max.)	
» Operating Temperature Range	-10 °C to 49 °C	
» Relative Humidity	≤ 95 % RH, non-condensing	
» Cabling	4 x 20 mm diameter knockouts (top, sides and rear)	
» Wiring	4-way removable terminal block with strain relief	
» Strobe Colours	Red and Amber	
» Flash Rate	1.1 Hz @ 24 Vdc	
» Mode of Operation	2-wire, 3-wire or 4-wire	
» Operating Voltage	20 Vdc to 30 Vdc	
» Supervisory Voltage	≤ 0.5 Vdc in 2-wire mode ≤ 30 Vdc in 4-wire mode	
» Quiescent Current	0.2 µA @ 24 Vdc in standby	
» Alarm Current	50 mA / Strobe @ 24 Vdc	

Internal Connection Options:



Notes:

- a) Only 4-wire mode is supervised on Pertronic panels (two sounder circuits).
- b) 2 and 3-wire mode require a special supervisory circuit similar to strobe outputs on EWIS panels.

Ordering Information:

Product Code	Description
DUALSTROBE	Dual Strobe Unit, Amber / Red Lenses

0340 Dual Strobe Iss 1.4 20171107