

Beacons

Solista LX Ceiling
Australian Standard



The Solista LX Ceiling has a unique lens design that distributes the light in a cylindrical shape to achieve the required illumination specified by AS ISO7240.23:2014. Designed for installation at a height of up to 3m and with a discrete appearance, the device is ideal for a variety of applications, including bedrooms, bathrooms and toilets.

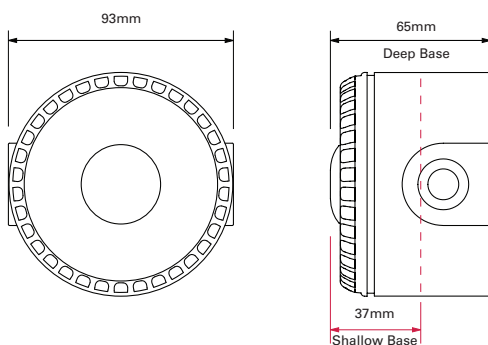
Features

- Ultra low current consumption of 10mA
- Up to 7.5m coverage volume
- 0.5Hz or 1Hz Flash rate
- Coverage switch to 3m

Benefits

- Use where current consumption is a key consideration
- Ideal for bedrooms, bathrooms and toilets
- Switch flash rate to 0.5Hz to reduce current consumption
- Reduces power consumption by up to 50%

Dimensions



Technical Specification

Mounting Type	Ceiling
Voltage	9 - 60VDC
Current	10 - 25mA dependent on setting
Coverage (y)	7.5m (Switchable to 3m)*
Mounting Height (x)	3m (max)
Coverage Volume Code	C-3-7.5
Coverage Volume	132m ³ (21m ³)
Flash Rate	1Hz (Switchable to 0.5Hz)
Operating Temperature	-25°C to +70°C
Monitoring	Reverse Polarity
Protection	IP33C Shallow Base IP65 Deep and U Base
Weight	100g
Body Colour	White or Red
Flash Colour	White or Red

* CNPP test results

Catalogue Numbers

Reference	Cat No	Description
SOL-LX-C/RF/R1/S G2 AS	812027FULL-0315X	Solista LX Ceiling, Red Flash, Red Body, Shallow Base
SOL-LX-C/RF/W1/S G2 AS	812080FULL-0311X	Solista LX Ceiling, Red Flash, White Body, Shallow Base
SOL-LX-C/WF/R1/S G2 AS	812025FULL-0316X	Solista LX Ceiling, White Flash, Red Body, Shallow Base
SOL-LX-C/WF/W1/S G2 AS	812079FULL-0310X	Solista LX Ceiling, White Flash, White Body, Shallow Base