



AA Wall Mount Strobe

Product Overview:

The **Analogue Addressable Wall Mount Strobe WST-PR-N34** is a high quality loop powered device designed to alert building occupants of an emergency. It utilizes the System Sensor B501AP base for improved installation flexibility. When triggered by the fire alarm control panel the intense strobe gives a highly visible warning.

This wall mounting strobe features fast and simple installation and control. It is powered by the fire alarm control panel via the loop wiring.

The device is installed simply by a twist fit onto the B501AP base.



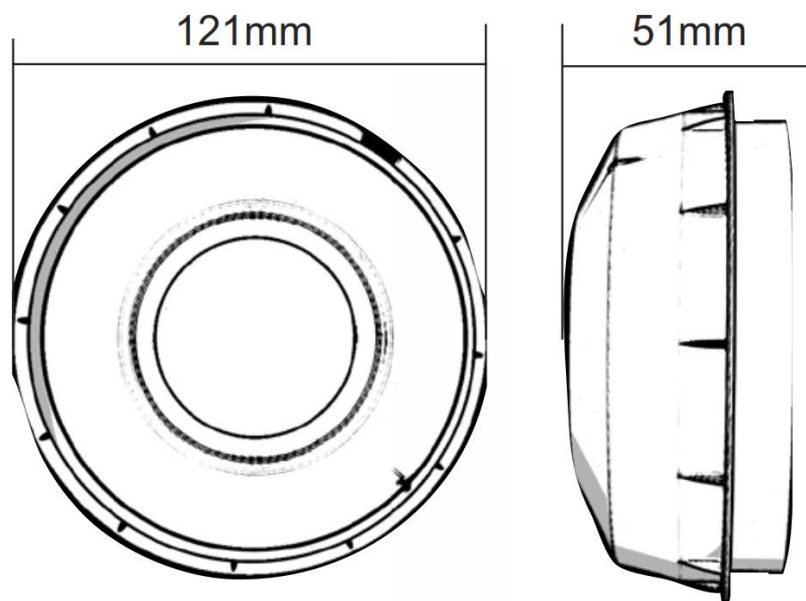
**Analogue Addressable Wall Mount Strobe
WST-PR-N34**

Features:

- » High output LED technology and superior lens design optimize light output
- » Positive 'poke yoke' engagement
- » Address tag for clear indication
- » Anti-tamper feature
- » Simple familiar rotary wheel address controls
- » Low current draw enables more devices on loop
- » Intense strobe output
- » Rear or surface cable entry
- » Automatic synchronisation of strobe
- » Lens colour are available in Amber, Red, and Clear

Specifications:

» Dimensions (in B501AP Base)	121 x 61.5 mm	Diameter x Depth
» Weight	168 g	
» Terminal Size	1.5 mm ² to 2.5 mm ²	
» Supply Voltage	15 VDC to 32 VDC	
» Max Current Consumption	3.3 mA	
» Standby Current	120 µA	
» Strobe Flash Rate	1 Hz	
» Humidity	10 % to 95% RH, non-condensing	
» Operating Temperature	-25 °C to 70 °C	
» Lens Colour	Red / Amber / Clear	



Ordering Information:

Product Code	Description
WST-PR-N34	Addressable Wall Mounted Strobe Red – Non Isolated
WST-PA-N34	Addressable Wall Mounted Strobe Amber – Non Isolated
WST-PC-N34	Addressable Wall Mounted Strobe Clear – Non Isolated
B501AP-IV	Addressable Detector Base – Ivory (for use with Addressable Sounder)
B501AP-PW	Addressable Detector Base – Pure White

WST Addressable Wall Mount Strobe Iss 1.1 20171020