

PERTRONIC INDUSTRIES LTD

INSTALLATION NOTE and DATASHEET

Fireray One Beam Detector



Overview:

The Fireray One is a long range beam detector designed to protect open areas. The system comprises an infra-red transmitter/receiver unit and a reflector. Smoke entering the area between the detector and the reflector causes a reduction in the beam's intensity. When the obscuration reaches the alarm threshold (set in the transmitter/receiver unit), the detector will generate an alarm signal.

If the beam is completely blocked the detector will generate a fault (or defect) signal.

Slow changes in the obscuration due to a build-up of dust or dirt on the detector lens and/or reflector are automatically compensated by electronics in the detector. When the compensation limit is reached, the detector will indicate a fault (defect) indicating that the lens and reflector need to be cleaned.

The Fireray One incorporates an auto-alignment system to simplify installation as well as a manual alignment system. The Fireray also compensates for natural shifts in alignment caused by movements in the building



Fireray One Beam Detector and Reflector

Features:

- Detection range up to 50m (or 120m with Reflective Long Range kit)
- Can be installed by one person
- Automatic (laser assisted) or manual alignment of detector and reflector
- Two voltage-free contact output relays - Alarm and Fault. Relay ratings: 0.5A @ 30 VDC
- Four alarm response thresholds – 25%, 35% (default), 55% and 85%
- Automatically compensates for the build-up of contamination on the optical surfaces, high levels of sunlight and artificial lighting, and misalignment of the beam through building movement
- System status LEDs – Normal (Green flashing LED), Alarm (Red flashing LED), and Fault (Yellow flashing LED)
- Individually addressable by the fire panel

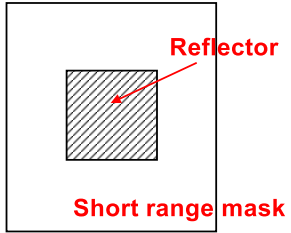
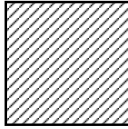
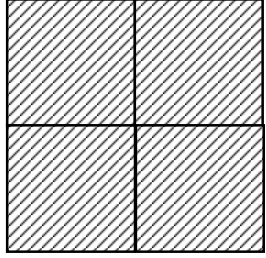
Specifications:

	Product Code	Description
Electrical	Operating Voltage Range	14 V dc to 36 V dc
	Operating Current	5 mA (max)
	Current - Fast Alignment mode	33 mA
Optical	Beam wavelength	850nm, near infra-red
	Alignment laser	650nm visible (Class 3R <5mW)
	Separation Distance (Detector/Reflector)	5 to 50 m 50 to 120 m with reflective long range kit
	Beam Alignment	Laser assisted auto-alignment, manual alignment
	Beam path clearance	1 m in diameter from the centre line between Detector and Reflector
	Max angular alignment range	± 4.5 Degrees
	Compensation	Building movement, contamination, light cancelling
Mechanical	Dimensions (H x W x D)	Detector 130 x 181 x 134 mm (W x H x D) Reflector (single) 100 x 100 x 10 mm (W x H X D)
	Weight	Detector 700 g Reflector 100 g
Field Wiring	Maximum Wire Size	2 core, 0.5 to 1.6 mm (22 to 14 AWG)
	Cable entry	3 knock-out locations (M20, 1/2 in or 3/4 in glands) 4 drill-out locations (<21 mm glands)
Environmental	IP Rating	IP 55
	Operating Temperature	-20°C to 55°C
	Humidity	0% to 93% Relative Humidity, non-condensing or icing
User Interface	Alignment status	2 Green LEDs, 1 Yellow LED
	System status	Normal - Green LED, flashing every 10 secs Alarm - Red LED, flashing every 5 seconds Fault - Yellow LED, obscuration, flashing every 10 seconds contamination, flashing every 5 seconds
	Alarm response thresholds	25% - fast response to smoke 35% - default 55% - High immunity to false alarms, slow response to smoke 85% - Highest immunity to false alarms, slowest response to smoke
	Delay	To alarm – 10 seconds, for momentary partial obstruction of beam path To fault - 10 Seconds, for momentary obstruction of beam path

Installation:

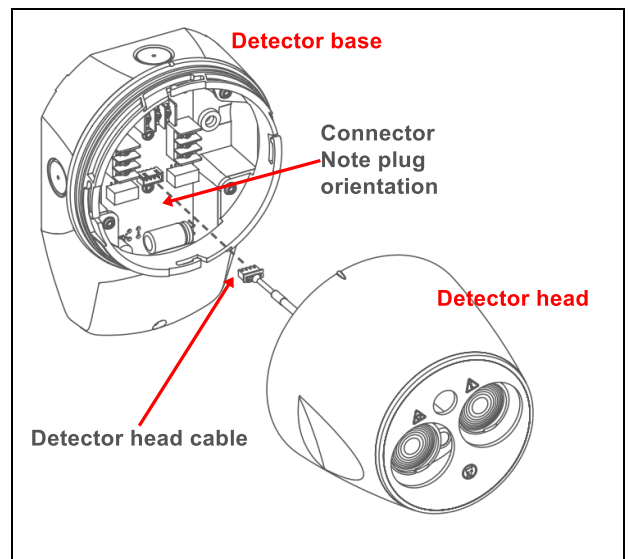
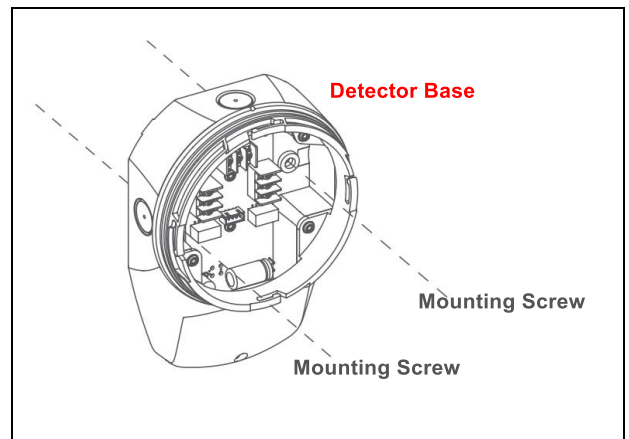
- Do not position the detector where personnel can enter or physical obstruction are in the beam path
- Do not install the detector or reflector in environments where condensation or icing are likely to occur
- Beam detectors are usually mounted with their beam parallel to the ceiling. Position the detector and reflector as high as possible. Ensure that the distance from the detector/reflector to the ceiling is greater than 0.3m
- Do not mount the reflector onto reflective surfaces

- Ensure the detector is mounted on a solid surface such as a structural wall or girder that is not expected to experience vibration or movement over time.
- Ensure the correct reflector configuration is selected for the appropriate distance (see table below)

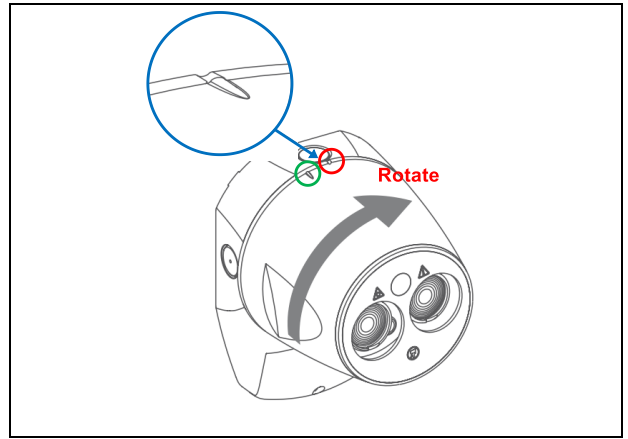
Distance	5m to 20m	20m to 50m	50m to 120m
Number of reflectors	1	1	4
Number of short range masks	1	0	0
Reflector mounting			

Mounting the Detector:

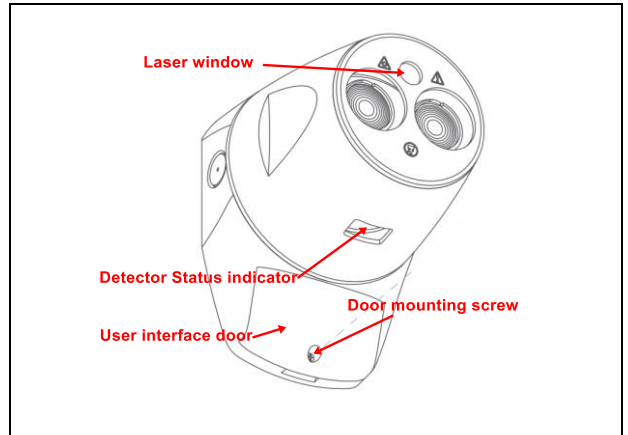
- Mark and drill holes for mounting the base
- Mount the base using 2 screws
 - Hole spacing: 86mm
 - Hole size: 6mm (1/4in) diameter
- Plug the cable from the detector head into the PCB connector



- Locate the detector head on the base
- Grip the sides of the detector head and rotate clockwise until the 'Dip' (green circle) and 'Pip' (red circle) align as shown in the blue circle

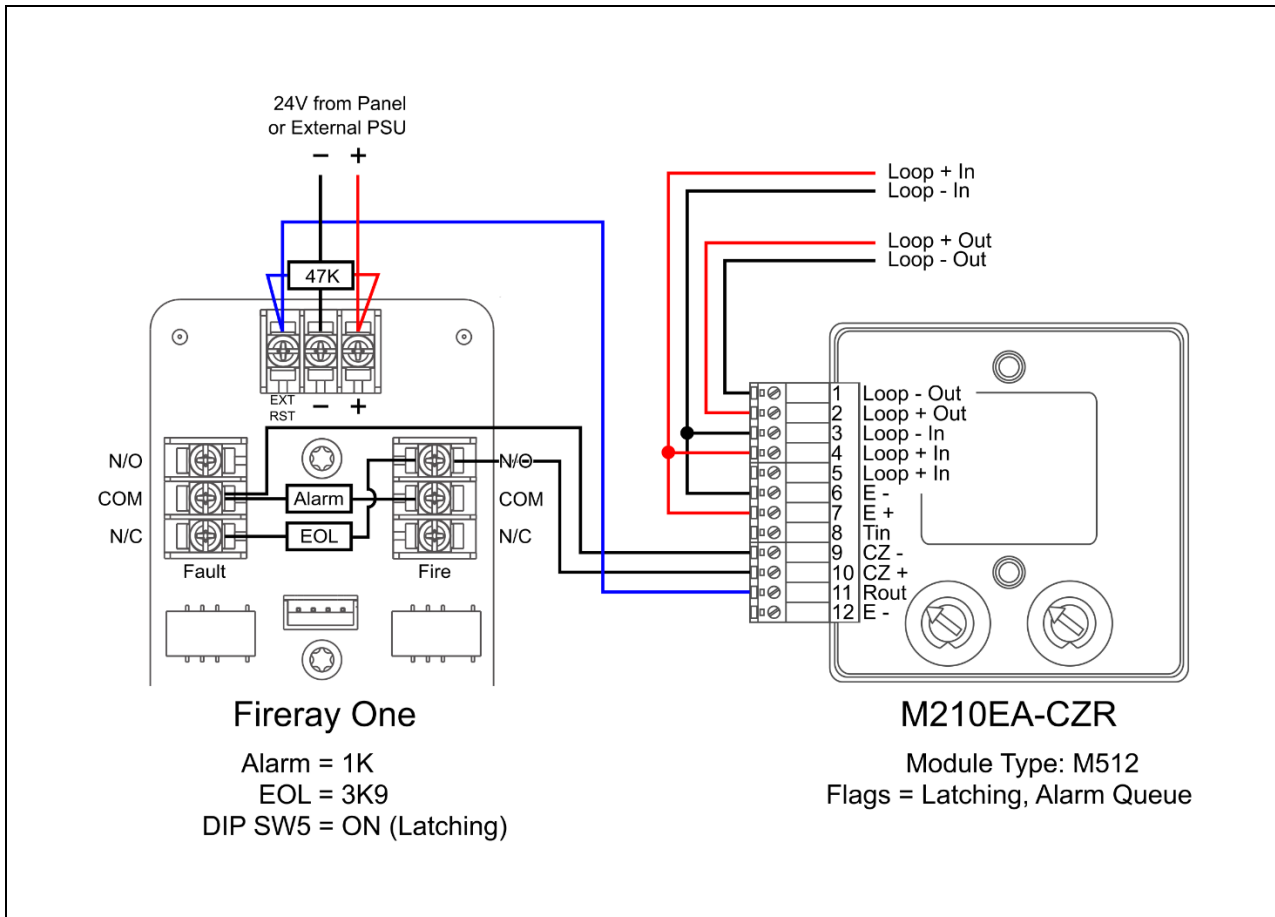


- Remove the User Interface door to expose the interface PCB
- Note the door should remain attached to the base by a tether

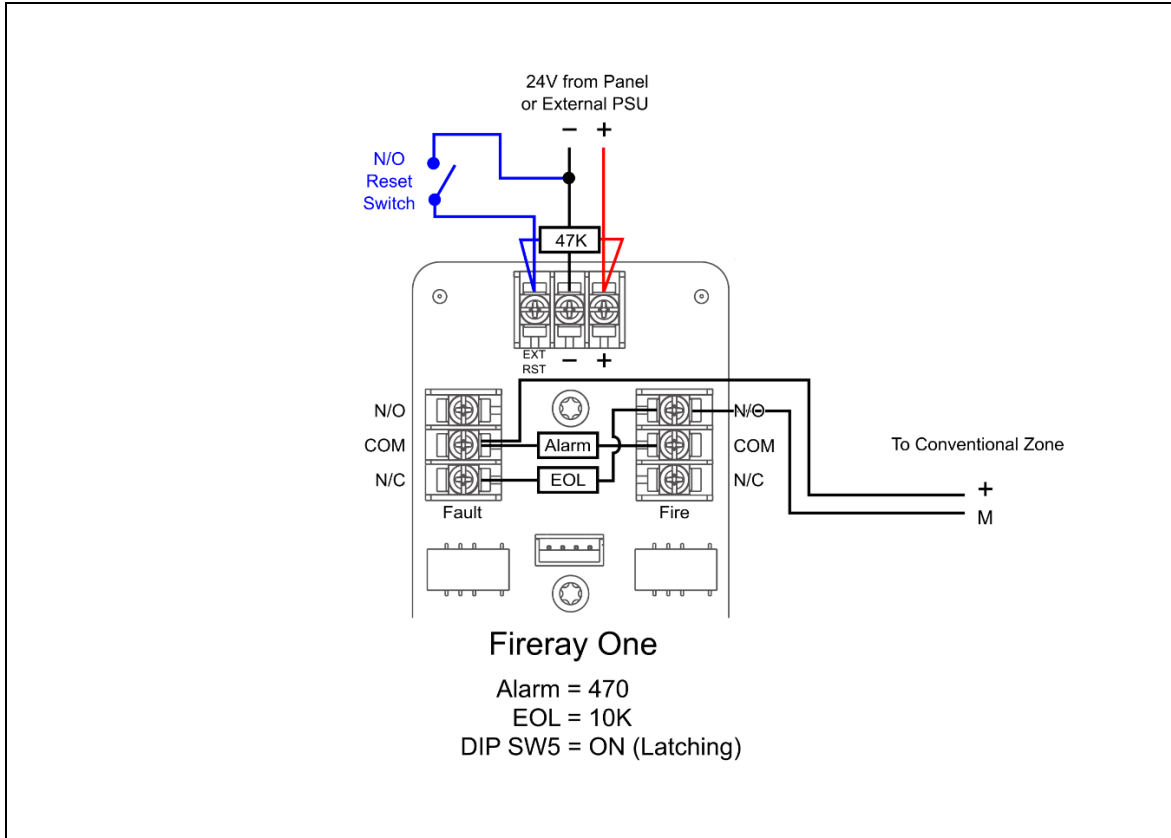


Connections:

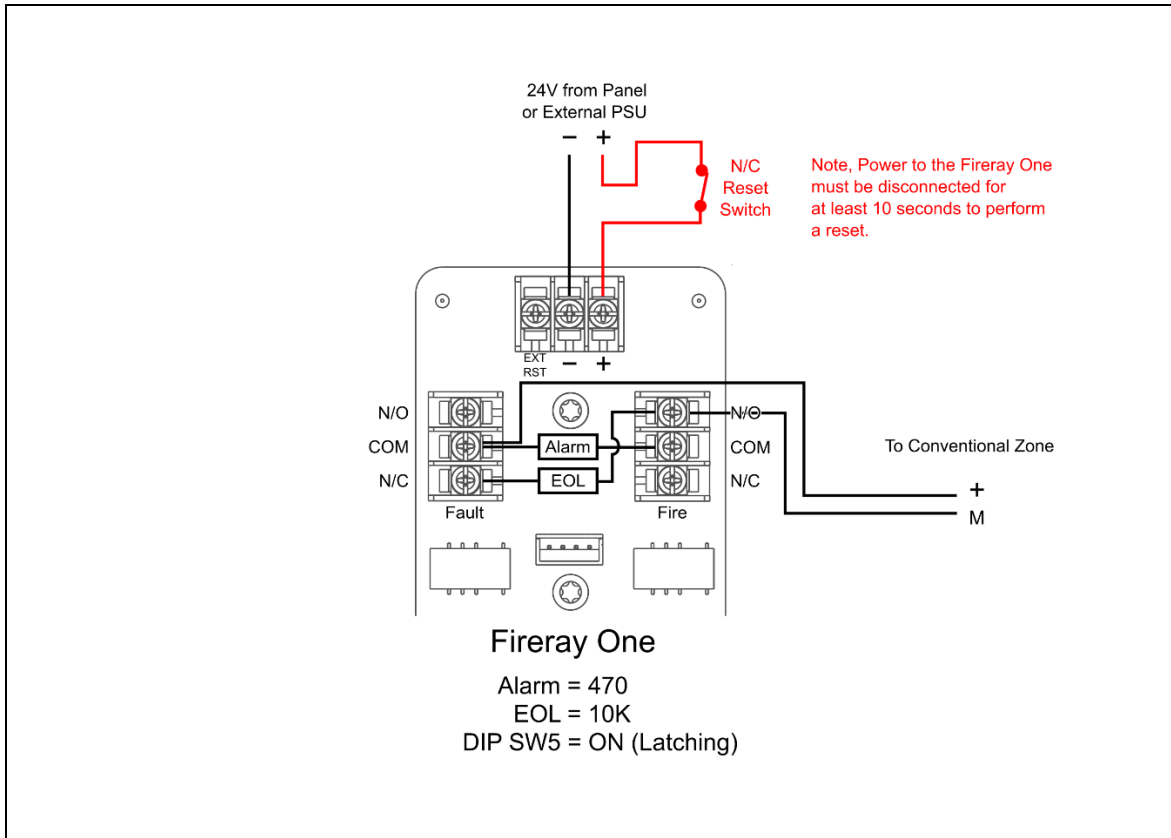
1. Analog Addressable Circuits



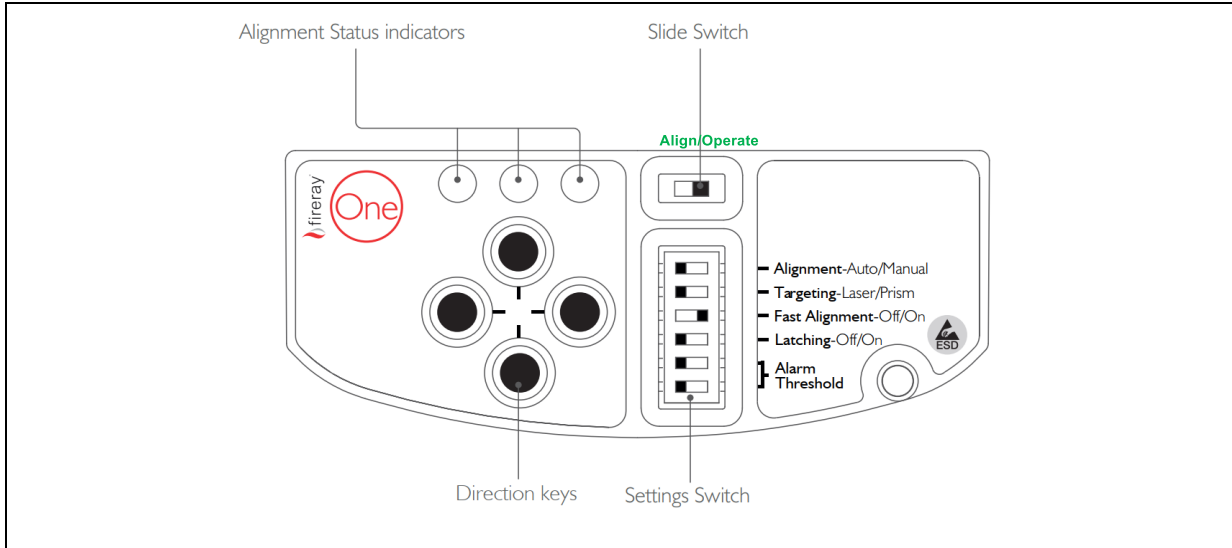
2. Conventional Circuit with External Reset



3. Conventional Circuit without External Reset



User Interface



Fast Alignment

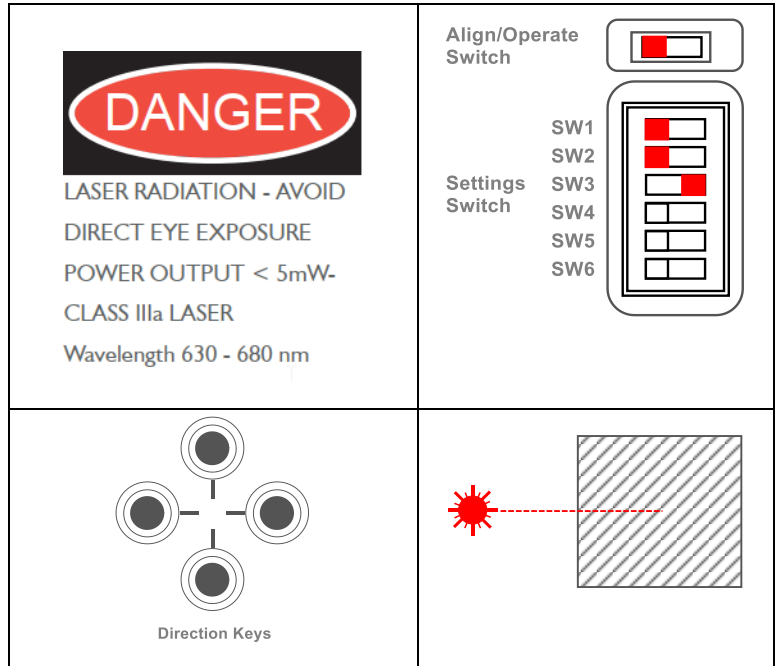
1. Targeting

Setting Switch

- Set Alignment switch (SW1) to Auto (Left)
- Set Targeting switch (SW2) to Laser (Left)
- Set Fast Alignment switch (SW3) to ON (Right)

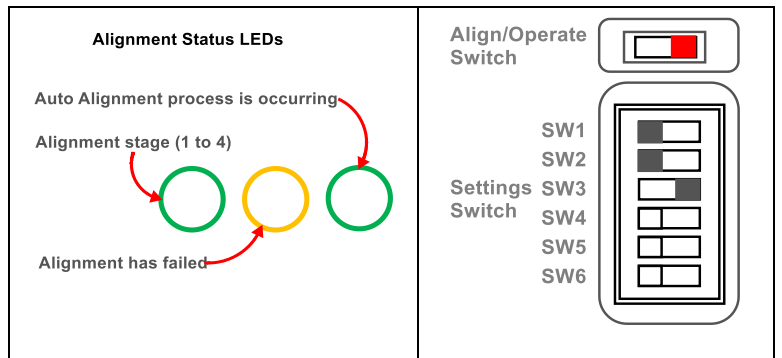
Align/Operate Switch

- Set Align/Operate switch to Align (Left).
This turns the laser on.
- **WARNING:**
Direct viewing of the laser beam could be hazardous to the eyes.
- Use the direction keys to move the laser point onto the Reflector



2. Alignment

- Move the Align/Operate switch to Operate (Right)
The automatic alignment process will begin
- The Alignment Status LEDs show
 - The Alignment process is occurring (flashes green)
 - Indicate which of the 4 stages the Alignment process is in (pulses green)
 - If alignment has failed (flashes yellow)



Successful Alignment

If the alignment process was completed successfully:

- The green Alignment LED (right) will flash for 10 seconds
- Fire and Fault relays will open
- Detector's status LED will flash green once every 10 seconds

Unsuccessful Alignment

If the alignment process was not successful, check

- Correct number of reflectors have been installed
- Correct beam clearance
- No reflective surfaces around or close to beam path

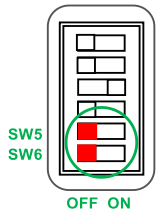
Settings:

1. Threshold Selection

Select the threshold for the installed distance

Separation between Detector and Reflector	Acceptable Fire Thresholds
< 7.5 m	25%
7.5m to 16.5m	25%, 35%
16.5m to 33.5m	35%, 55%
33.5m to 53m	55%, 85%
53m to 120m	85%

Fire Threshold	SW5	SW6
25%	ON	ON
35%	OFF	OFF
55%	ON	OFF
85%	OFF	ON

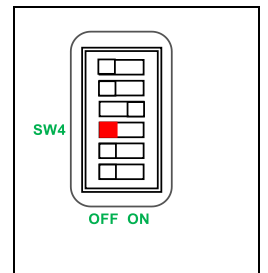


2. Latching Mode

If Latching mode is ON, the Detector will remain in an Alarm condition (i.e latched) after the signal has return to normal.

The latched state can be cleared using

- An External Reset, or
- By removing the power from the detector for at least 10 seconds



Operation

1. Status Indicators

The tricolour Status indicator is located on the underside of the detector head (see diagram above)

Status	Indicator	
Normal	Green, flashing every 10 sec	Both the Fire and Fault relays will be in their normal positions
Fault	Amber, flashing every 10 sec	High/Low Fault. Indicates the signal is either too high (re-align the detector) or too low (no or weak reflection) Fire relay normal. Fault relay will change state.
	Amber, flashing every 5 sec	AGC/Compensation. Indicates that the AGC has reached its limit. Clean the detector lens and reflector with a soft lint-free cloth. Fire Relay normal. Fault relay will change state.
	Amber, flashing every 3 sec	Internal Fault. Indicates there is an internal fault with the detector. Contact Pertronic Support. Fire relay normal. Fault relay will change state.
Fire	Red, flashing every 5 sec	Fire relay will change state. Fault relay normal.

2. Cleaning

The Detector automatically compensates for the build-up of dust by changing its Automatic Gain Control (AGC) level. Once the AGC limit has been reached the Detector will indicate a Fault. Clean both the Detectors lens windows and the Reflector periodically with a soft lint-free cloth to prevent the AGC reaching its limit. It is possible that after cleaning, the signal strength may have increased above the Too High threshold triggering a Fault. If this occurs, re-align the Detector

3. Fire Test

After installation or cleaning, ensure that a Fire test is performed. This can be undertaken in one of two ways.

- Slowly (greater than 5 seconds) cover the reflector. The Detector will indicate Fire after 10 seconds.
- Use the Alarm Filters (25%, 35%, 55% alarm threshold) in the Fireray Commissioning and Maintenance Kit.

Ordering Information:

Product Code	Description
FRONE	Fireray One – 50m detection range
FRLRK	Reflective Long Range Kit – 120m detection range
Accessories	
FRACH	Anti-Condensation Heater
FRDAB	Detector Adjustment Bracket
FRPRC	Protective Cage
FRSBB	Surface Back Box
FRTST	Filter Kit

Document Change History:

Issue Number	Reason for Update	Change Number	Author
1.0 April 2024	New Document	CN3449	RJK

PERTRONIC SALES AND TECHNICAL SUPPORT

New Zealand

Pertronic Industries Limited

Head Office

17 Eastern Hutt Road
Wingate
Lower Hutt
Phone +64 4 567 3229

sales@pertronic.co.nz

tech@pertronic.co.nz

Auckland

3 Gloucester Park Road
Onehunga
Auckland 1061
Phone +64 9 633 0226

auckland@pertronic.co.nz

New Zealand Website

www.pertronic.co.nz

Australia

Pertronic Industries Pty Limited

Melbourne

Unit B2
2A Westall Rd
Springvale
VIC 3171
Phone +61 3 9562 7577

sales.vic@pertronic.com.au

Brisbane

Unit 3
43-49 Sandgate Rd
Albion
QLD 4010
Phone +61 7 3255 2222

sales.qld@pertronic.com.au

Perth

Unit 6/1 Burchell Way
Kewdale
WA 6105
Phone +61 8 6555 3008

sales.wa@pertronic.com.au

Sydney

Unit 9
38-46 South Street
Rydalmere
NSW 2116
Phone +61 2 9638 7655

sales.nsw@pertronic.com.au

Adelaide

65 Manton Street
Hindmarsh
SA 5007
Phone +61 8 8340 9533

sales.sa@pertronic.com.au

Australian website

www.pertronic.com.au

USA

Pertronic Industries Inc

Phoenix

Scottsdale
Arizona 85258
Phone +1 480 452 8330
Keith.Bowler@pertronic.com

Guilford

Connecticut 06437
Phone +1 203 598 1133
Raymond.Krickmier@pertronic.com

USA website

www.pertronic.com