

PERTRONIC INDUSTRIES LTD

REDBACK A2055 PRE-AMPLIFIER MODULE

INSTALLATION NOTE ISSUE 5



Overview:

The Redback A2055 Pre-amplifier module may be used to boost the input level to the Pertronic 50W Amplifier Pre-amp board; it is used in situations where the microphone is connected at distances too great to operate at microphone-level input or where the microphone input is feeding more than four (4) amplifiers.

The Redback A2055 Pre-amplifier contains a selectable balanced / unbalanced microphone input, and two aux inputs.

The Redback pre-amplifier output may be connected directly into the 50W Amplifier's Pre-amp 'LINE' input.

The Redback pre-amplifier may be powered from the panel's 24Vdc monitored supply, or from a remote 15V to 30Vdc supply. It is recommended that the panel's supply be used because it is monitored.

Installation:

Dip Switch Settings:

Jumper	Status	Comment
SW1	ON	- selects unbalanced microphones
SW1	OFF	- selects balanced microphones
SW2	ON	- selects Phantom power mic on
SW2	OFF	- Deselects Phantom power mic on
SW3	ON	- Not used
SW3	OFF	- Not used
SW4	ON	- selects dual rail DC or AC supply
SW4	OFF	- selects single rail DC supply

When connecting the Redback pre-amplifier to the panel's 24V monitored supply, set SW4 to the OFF position to select a single rail supply option.

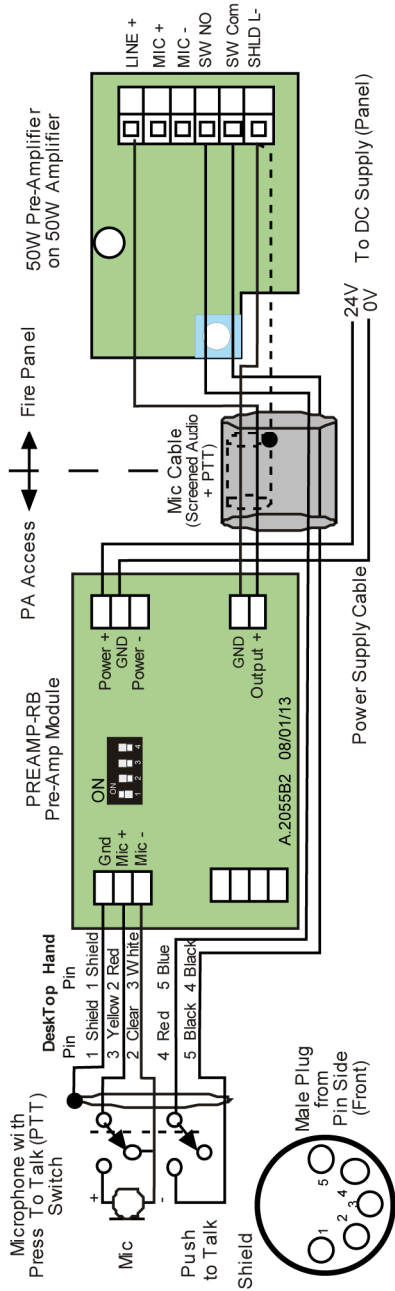
When connecting the Redback C0335 Hand or the C0379 Desk balanced microphones to the Redback pre-amp set SW1 to the OFF position to select balanced microphones. Also set SW2 to OFF to deselect Phantom power mic.

Connections:

Microphone		Redback 2055 Pre-Amp	50W Pre-Amp	Power Supply
Desk	Hand			
3. Mic +ve	2 Mic +ve	Mic +ve		
2. Mic +ve	3 Mic +ve	Mic -ve		
1. Shield	1. Shield	Gnd		
4. PTT +ve	5. PTT -ve		SWITCH COM	
5. PTT -ve	4. PTT +ve		SWITCH N/O	
		Line Output +ve	LINE +	
		Line Output 0V / GND	SHLD L-	
		Mic Cable Shield	SHLD L-	
		Power +		+24Vdc
		0V / GND		0V

Dimensions: 100 x 56 x 22 L x W x D

Wiring Diagram:



Note:

Failure to connect the microphone Shield may reduce the quality of the signal received by the 50W Amplifier Pre-amp. The shield must not be connected to panel Earth because Earth Leakage currents caused may impact the quality of the signal received.